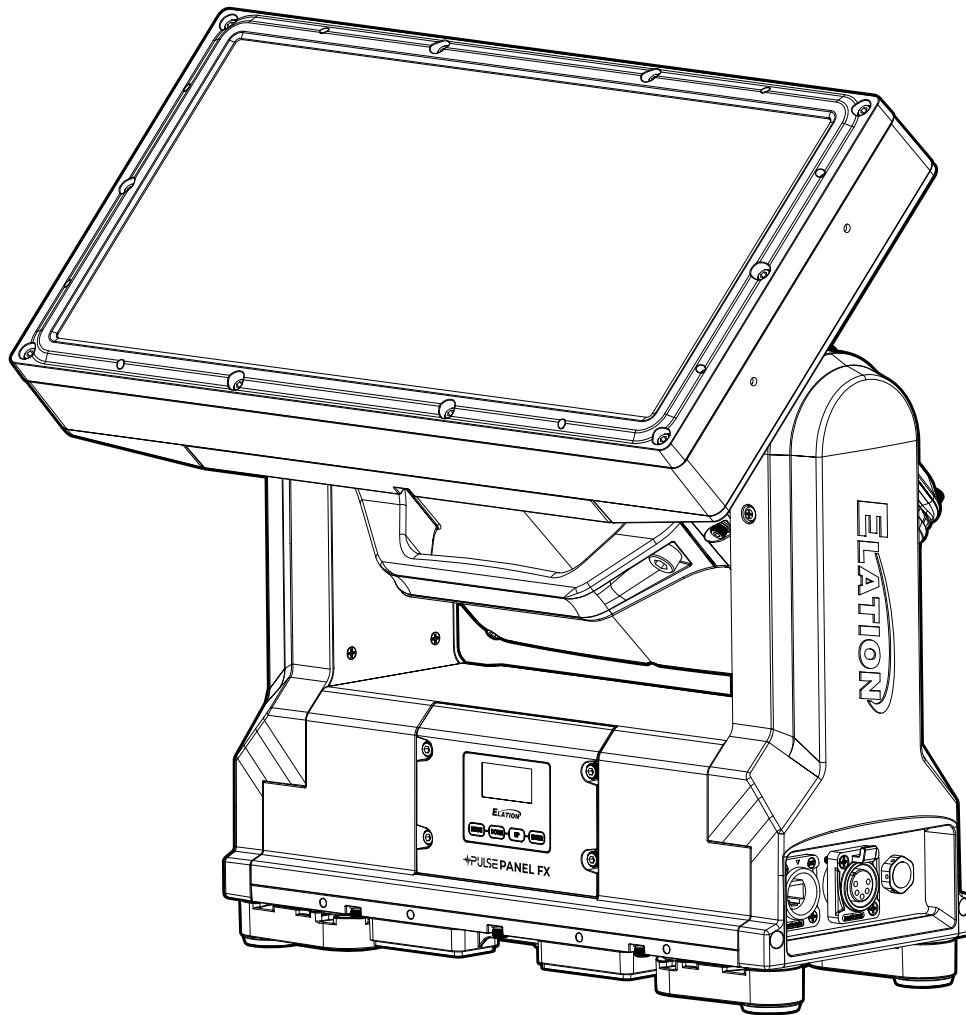


ELATION®



PULSE PANEL FX User Manual

©2024 **ELATION PROFESSIONAL** all rights reserved. Information, specifications, diagrams, images, and instructions herein are subject to change without notice. ELATION PROFESSIONAL logo and identifying product names and numbers herein are trademarks of ELATION PROFESSIONAL. Copyright protection claimed includes all forms and matters of copyrightable materials and information now allowed by statutory or judicial law or hereinafter granted. Product names used in this document may be trademarks or registered trademarks of their respective companies and are hereby acknowledged. All non-ELATION brands and product names are trademarks or registered trademarks of their respective companies.

ELATION PROFESSIONAL and all affiliated companies hereby disclaim any and all liabilities for property, equipment, building, and electrical damages, injuries to any persons, and direct or indirect economic loss associated with the use or reliance of any information contained within this document, and/or as a result of the improper, unsafe, insufficient and negligent assembly, installation, rigging, and operation of this product.

Elation Professional USA | 6122 S. Eastern Ave. | Los Angeles, CA. 90040

323-582-3322 | www.elationlighting.com | info@elationlighting.com

Elation Professional B.V. | Junostraat 2 | 6468 EW Kerkrade, The Netherlands

+31 45 546 85 66 | +31 45 546 85 96 fax | www.elationlighting.eu | info@elationlighting.eu

Elation Professional Mexico | AV Santa Ana 30 | Parque Industrial Lerma, Lerma, Mexico

52000 +52 (728) 282-7070

DOCUMENT VERSION



Due to additional product features and/or enhancements, an updated version of this document may be available online. Please scan the QR Code with your mobile device or visit www.elationlighting.com for the latest revision/update of this manual, before installation and/or programming.

Date	Document Version	Software Version	DMX Channel Mode	Notes
05/13/24	1.0	V1.01	8 / 16 / 27 / 50 / 62 / 65 / 175 / 90 / 93 / 183 / 161 / 156	Initial Release

CONTENTS

General Information	4
IP65 Rated	5
Warranty Returns (USA Only)	6
Safety Guidelines	7
Overview	9
Torque Settings for Screws	10
IP Test Parameters	11
Installation Guidelines	12
Modes and Feature Guide	19
Sun Protection Mode Hibernation Mode	19
Fan Modes Low Noise Operation	20
Disable Pan Feature Dual Universe Control Zone Linking	21
FX Functions and Features	22
Remote Device Management (RDM)	23
System Menu/Software Updates	24
Dimmer Modes & Curves	28
DMX Traits	29
8CH, 16CH, 27CH	29
50CH, 62CH, 65CH, 90CH, 93CH	35
175CH, 183CH, 161CH, 156CH	45
Zone Layouts	59
Error Codes	60
Maintenance Guidelines	61
Specifications	62
Ordering Information	64

GENERAL INFORMATION

INTRODUCTION

Please read and understand the instructions in this manual carefully and thoroughly before attempting to operate this device. These instructions contain important safety and use information. **This device is intended for use by trained personnel only, and is not suitable for private use.**

UNPACKING

Every device has been thoroughly tested and has been shipped in perfect operating condition. Carefully check the shipping carton for damage that may have occurred during shipping. If the carton is damaged, carefully inspect the device for damage, and be sure all accessories necessary to install and operate the device have arrived intact. In the event damage has been found or parts are missing, please contact our customer support team for further instructions. Please do not return this device to your dealer without first contacting customer support. Please do not discard the shipping carton in the trash. Please recycle whenever possible.

BOX CONTENTS

- Safety Cable
- IP65 Locking Power Cable

CUSTOMER SUPPORT

Contact ELATION Service for any product related service and support needs. Also visit forums.elationlighting.com with questions, comments, or suggestions.

ELATION SERVICE USA - Monday - Friday 8:00am to 4:30pm PST
323-582-3322 | support@elationlighting.com

ELATION SERVICE EUROPE - Monday - Friday 08:30 to 17:00 CET
+31 45 546 85 63 | support@elationlighting.eu

REPLACEMENT PARTS please visit parts.elationlighting.com



IMPORTANT NOTICE!

THERE ARE NO USER SERVICEABLE PARTS INSIDE THIS UNIT. DO NOT ATTEMPT ANY REPAIRS YOURSELF; DOING SO WILL VOID YOUR MANUFACTURER'S WARRANTY. DAMAGES RESULTING FROM MODIFICATIONS TO THIS FIXTURE AND/OR THE DISREGARD OF SAFETY INSTRUCTIONS AND GUIDELINES IN THIS MANUAL VOID THE MANUFACTURER'S WARRANTY AND ARE NOT SUBJECT TO ANY WARRANTY CLAIMS AND/OR REPAIRS.

IP65 RATED

The **International Protection (IP)** rating system is commonly expressed as “**IP**” (Ingress Protection) followed by two numbers (i.e. IP65), where the numbers define the degree of protection. The first digit (Foreign Bodies Protection) indicates the extent of protection against particles entering the fixture, and the second digit (Water Protection) indicates the extent of protection against water entering the fixture. An **IP65** rated lighting fixture is designed and tested to protect against the ingress of dust (**6**), and low-pressure water jets from any direction (**5**).

NOTE: THIS FIXTURE IS INTENDED FOR TEMPORARY OUTDOOR USE ONLY!

Maritime/Coastal Environment Installations: A coastal environment is seaside adjacent, and caustic to electronics through exposure to atomized salt-water and humidity, whereas maritime is anywhere within 5-miles of a coastal environment.



NOT suitable for maritime/coastal environment installations. Installing this fixture in a maritime/coastal environment may cause corrosion and/or excessive wear to the interior and/or exterior components of the fixture. Damages and/or performance issues resulting from installation in a maritime/coastal environment will void the manufactures warranty, and will NOT be subject to any warranty claims and/or repairs.

Maritime installations require additional preparation, and additional service intervals may be needed given the maritime use. In general, IP ratings presuppose freshwater conditions VS maritime conditions, which are typically more “caustic” to IP fixtures (both internally and externally). A duty-cycle may also be needed when units are not in use. During times of high humidity and colder temperatures, condensation may occur internally so the fixture may require a duty-cycle to bring it up to running temperature, allowing any accumulation of moisture to be expelled via the vent valve. Recommendations can change based on installation environmental circumstances. A waterproof dome or similar device is recommended for use in permanent outdoor installations. When using a dome, refer to manufacturer recommendations for duty-cycle.

NOTE: NOT ALL FEATURES LISTED ARE AVAILABLE ON ALL FIXTURES; THE FOLLOWING INSTRUCTIONS MAY NOT APPLY. CONTACT SUPPORT FOR ADDITIONAL DETAILS.

Exterior Maintenance: Inspect the exterior every 30-days. The unit must be powered off/disconnected. The chassis should be inspected for any signs of contaminants. Inspect optics to determine if the lens is obstructed, then clean optics and chassis accordingly. Based on initial finding, schedule maintenance accordingly, keeping in mind that exterior maintenance will be required. Even if the luminaires are NOT in use, maintenance will still be needed given its location (exterior use). The use of a durable type of wax on the chassis is recommended since it will help prevent contaminant build up. Inspect both power and data lines for any signs of contaminants or corrosion. Periodically reapplying di-electric grease, especially in coastal environments. If any signs of corrosion/contaminants are present, clean thoroughly, and/or replace connectors, then reapply di-electric grease. Typically, this should be done annually, or any time an opportunity presents itself. As a preventive measure, annual replacement of both vent valves is recommended. The vent valve membrane can become contaminated and/or clogged causing improper venting of humidity within the luminaire. Inspect all mounting hardware as a precaution.

Interior Maintenance: Inspect the interior every 30-days. The unit must be powered off/disconnected.

- Inspect zoom/focus mechanism, clean optics, lubricate linear bearings (Krytox oil) as needed, inspect belts for wear
- Inspect all rotating effect wheels, manually rotate them, note any resistance
- Inspect all remaining rotating belts for any wear
- Inspect all fans, clean as needed, check rotation, check connections
- Inspect CMY module, manually move flags and check for signs of resistance, and if needed, clean guide rods first, then reapply a thin layer of grease (moly lube)
- Clean interior with low-volume compressed air, then clean optics prior to reassembly of head covers

Although the base has limited moving parts, the pan belt should also be inspected for wear. Remember to always perform an IP test anytime a cover is removed.

There is no specific time frame regarding the routine replacement of parts such as belts/stepper motors, PCBs, or LEDs. These items should only be replaced on an as needed bases, except for cooling fans, which should be replaced once the luminaries reach 10,000-hours. This is a prophylactic measure intended to keep the unit running as cool as possible, insuring proper function of all internal components. A complete service breakdown is available, please contact service@elationlighting.com for any needed parts or manuals.

LIMITED WARRANTY (USA ONLY)

- A. Elation Professional hereby warrants, to the original purchaser, Elation Professional products to be free of manufacturing defects in material and workmanship for a period of two years (730 days), and Elation Professional product rechargeable batteries to be free of manufacturing defects in material and workmanship for a period of six months (180 days), from the original date of purchase. This warranty excludes discharge lamps and all product accessories. This warranty shall be valid only if the product is purchased within the United States of America, including possessions and territories. It is the owner's responsibility to establish the date and place of purchase by acceptable evidence, at the time service is sought.
- B. For warranty service, send the product only to the Elation Professional factory. All shipping charges must be pre-paid. If the requested repairs or service (including parts replacement) are within the terms of this warranty, Elation Professional will pay return shipping charges only to a designated point within the United States. If any product is sent, it must be shipped in its original package and packaging material. No accessories should be shipped with the product. If any accessories are shipped with the product, Elation Professional shall have no liability what so ever for loss and/or damage to any such accessories, nor for the safe return thereof.
- C. This warranty is void if the product serial number and/or labels are altered or removed; if the product is modified in any manner which Elation Professional concludes, after inspection, affects the reliability of the product; if the product has been repaired or serviced by anyone other than the Elation Professional factory unless prior written authorization was issued to purchaser by Elation Professional; if the product is damaged because not properly maintained as set forth in the product instructions, guidelines and/or user manual.
- D. This is not a service contract, and this warranty does not include any maintenance, cleaning or periodic check-up. During the periods as specified above, Elation Professional will replace defective parts at its expense, and will absorb all expenses for warranty service and repair labor by reason of defects in material or workmanship. The sole responsibility of Elation Professional under this warranty shall be limited to the repair of the product, or replacement thereof, including parts, at the sole discretion of Elation Professional. All products covered by this warranty were manufactured after January 1, 1990, and bare identifying marks to that effect.
- E. Elation Professional reserves the right to make changes in design and/or performance improvements upon its products without any obligation to include these changes in any products theretofore manufactured.
- F. No warranty, whether expressed or implied, is given or made with respect to any accessory supplied with the products described above. Except to the extent prohibited by applicable law, all implied warranties made by Elation Professional in connection with this product, including warranties of merchantability or fitness, are limited in duration to the warranty periods set forth above. And no warranties, whether expressed or implied, including warranties of merchantability or fitness, shall apply to this product after said periods have expired. The consumer's and/or dealer's sole remedy shall be such repair or replacement as is expressly provided above; and under no circumstances shall Elation Professional be liable for any loss and/or damage, direct and/or consequential, arising out of the use of, and/or the inability to use, this product.
- G. This warranty is the only written warranty applicable to Elation Professional products and supersedes all prior warranties and written descriptions of warranty terms and conditions heretofore published.

WARRANTY RETURNS

All returned service items whether under warranty or not, must be freight pre-paid and accompany a return authorization (R.A.) number. The R.A. number must be clearly written on the outside of the return package. A brief description of the problem as well as the R.A. number must also be written down on a piece of paper and included in the shipping container. If the unit is under warranty, you must provide a copy of your proof of purchase invoice. Items returned without a R.A. number clearly marked on the outside of the package will be refused and returned at customer's expense. You may obtain a R.A. number by contacting customer support.

SAFETY GUIDELINES

This fixture is a sophisticated piece of electronic equipment. To guarantee smooth operation, it is important to follow all instructions and guidelines in this manual. Elation Professional is not responsible for injury and/or damages resulting from the misuse of this fixture due to the disregard of the information printed in this manual. Only qualified and/or certified personnel should perform installation of this fixture and only the original rigging parts included with this fixture should be used for installation. Any modifications to the fixture and/or the included mounting hardware will void the original manufacturer's warranty and increase the risk of damage and/or personal injury.



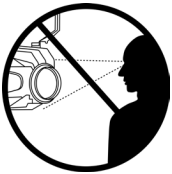
PROTECTION CLASS 1 - FIXTURE MUST BE PROPERLY GROUNDED.



THERE ARE NO USER SERVICEABLE PARTS INSIDE THIS UNIT. DO NOT ATTEMPT ANY REPAIRS YOURSELF. DOING SO WILL VOID YOUR MANUFACTURER'S WARRANTY. DAMAGES RESULTING FROM MODIFICATIONS TO THIS DEVICE AND/OR THE DISREGARD OF SAFETY INSTRUCTIONS AND GUIDELINES IN THIS MANUAL VOID THE MANUFACTURER'S WARRANTY AND ARE NOT SUBJECT TO ANY WARRANTY CLAIMS AND/OR REPAIRS.



**DO NOT PLUG THIS UNIT INTO A DIMMER PACK
DO NOT REMOVE THE COVER UNDER ANY CONDITIONS
NEVER OPERATE THIS UNIT WITH THE CASING REMOVED
UNPLUG FROM POWER DURING LONG PERIODS OF NON-USE
DISCONNECT POWER BEFORE PERFORMING MAINTENANCE**



**NEVER LOOK DIRECTLY INTO THE LIGHT SOURCE!
RETINA INJURY RISK - MAY INDUCE BLINDNESS!
SENSITIVE PERSONS MAY SUFFER AN EPILEPTIC SHOCK!**



**FIXTURE SHOULD BE PLACED A MINIMUM OF 1.0 FOOT (0.3 METERS) FROM ANY NEARLY OBJECTS OR SURFACES.
FIXTURE SHOULD BE PLACED A MINIMUM OF 1.6 FEET (0.5 METERS) FROM ANY FLAMMABLE MATERIALS.
MAXIMUM AMBIENT OPERATING TEMPERATURE IS 113°F (45°C)**

SAFETY GUIDELINES

! CAUTION

**HIGH
INTENSITY
ULTRAVIOLET
LIGHT**



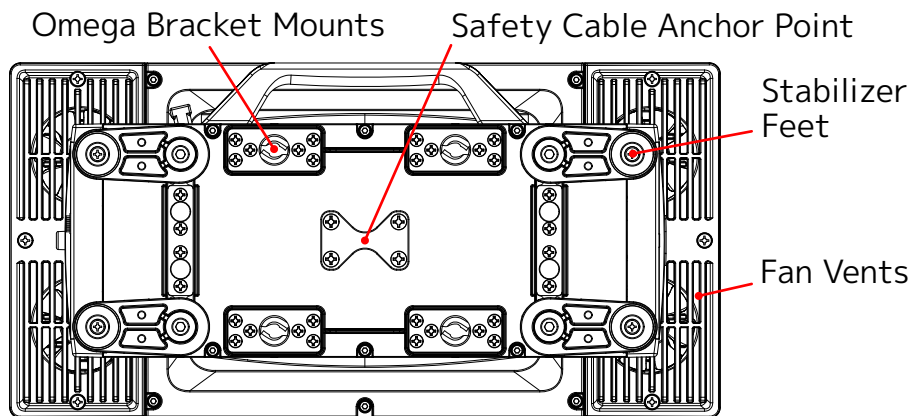
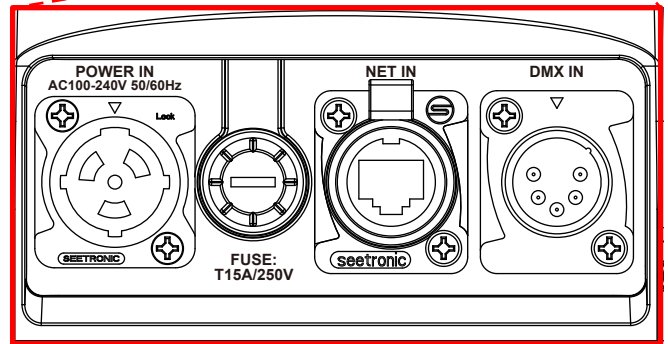
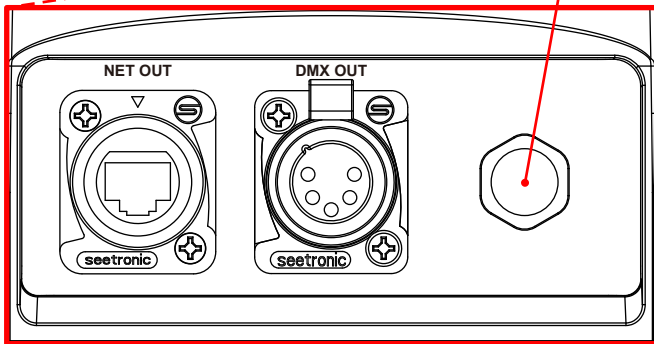
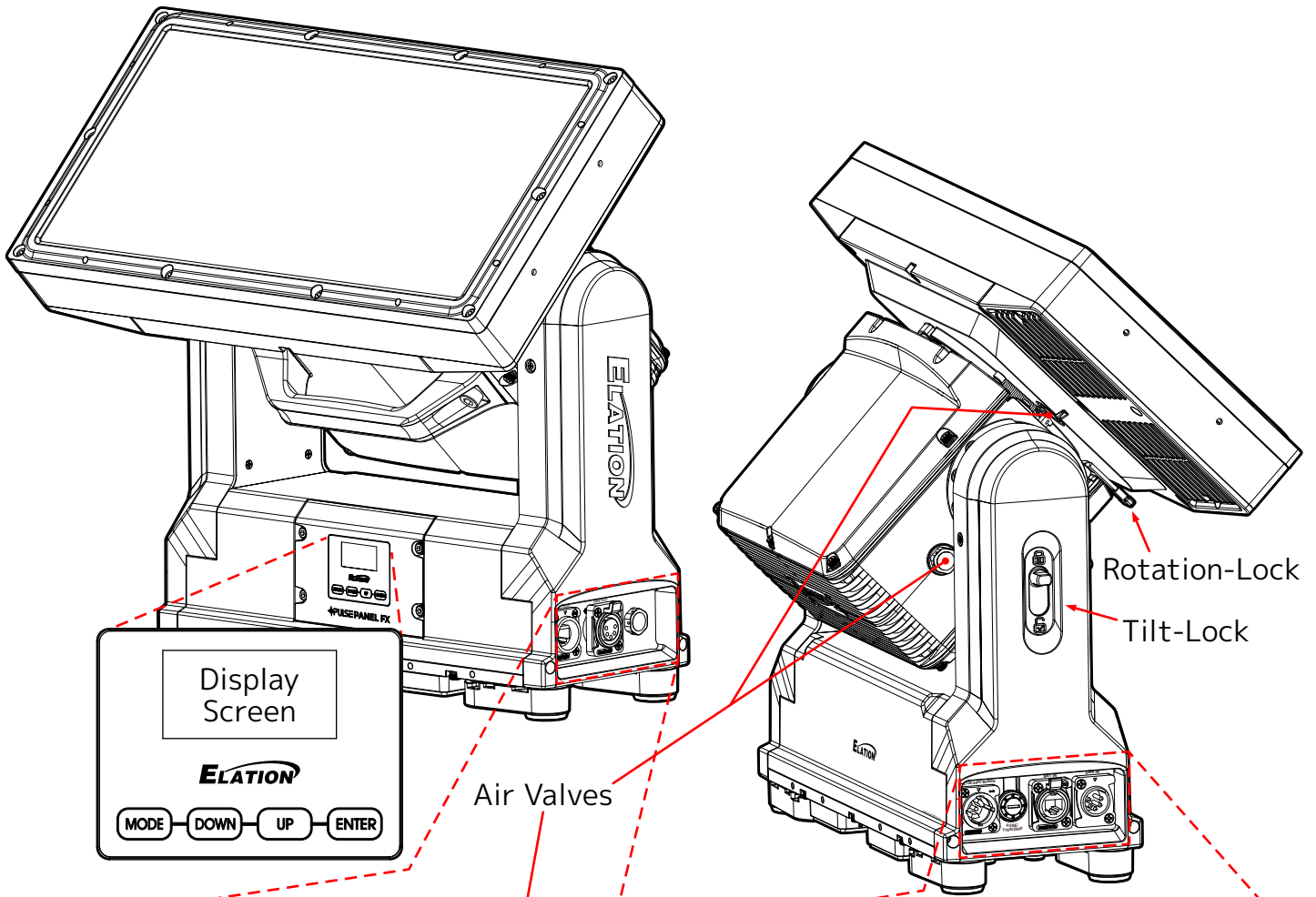
**AVOID DIRECT EYE & SKIN EXPOSURE.
WEAR PROPER EYE & SKIN PROTECTION.
SEE MANUAL FOR SAFETY INSTRUCTIONS.**

RISK GROUP 3 - RISK OF EXPOSURE TO ULTRAVIOLET UV RADIATION! FIXTURE EMITS HIGH INTENSITY WAVELENGTH OF ULTRAVIOLET UV LIGHT FROM THE UV COLOR FILTER. WEAR PROPER EYE AND SKIN PROTECTION. AVOID PROLONGED PERIODS OF EXPOSURE TO UV COLOR FILTER. AVOID WEARING WHITE COLOR CLOTHING AND/OR USING UV PAINTS ON SKIN. AVOID DIRECT EYE AND/OR SKIN EXPOSURE AT DISTANCES LESS THAN 10 feet (3m). DO NOT OPERATE FIXTURE WITH DAMAGED/MISSING EXTERNAL COVERS. DO NOT LOOK DIRECTLY INTO THE UV LIGHT AND/OR VIEW UV LIGHT DIRECTLY WITH OPTICAL INSTRUMENTS THAT MAY CONCENTRATE THE LIGHT/RADIATION OUTPUT.

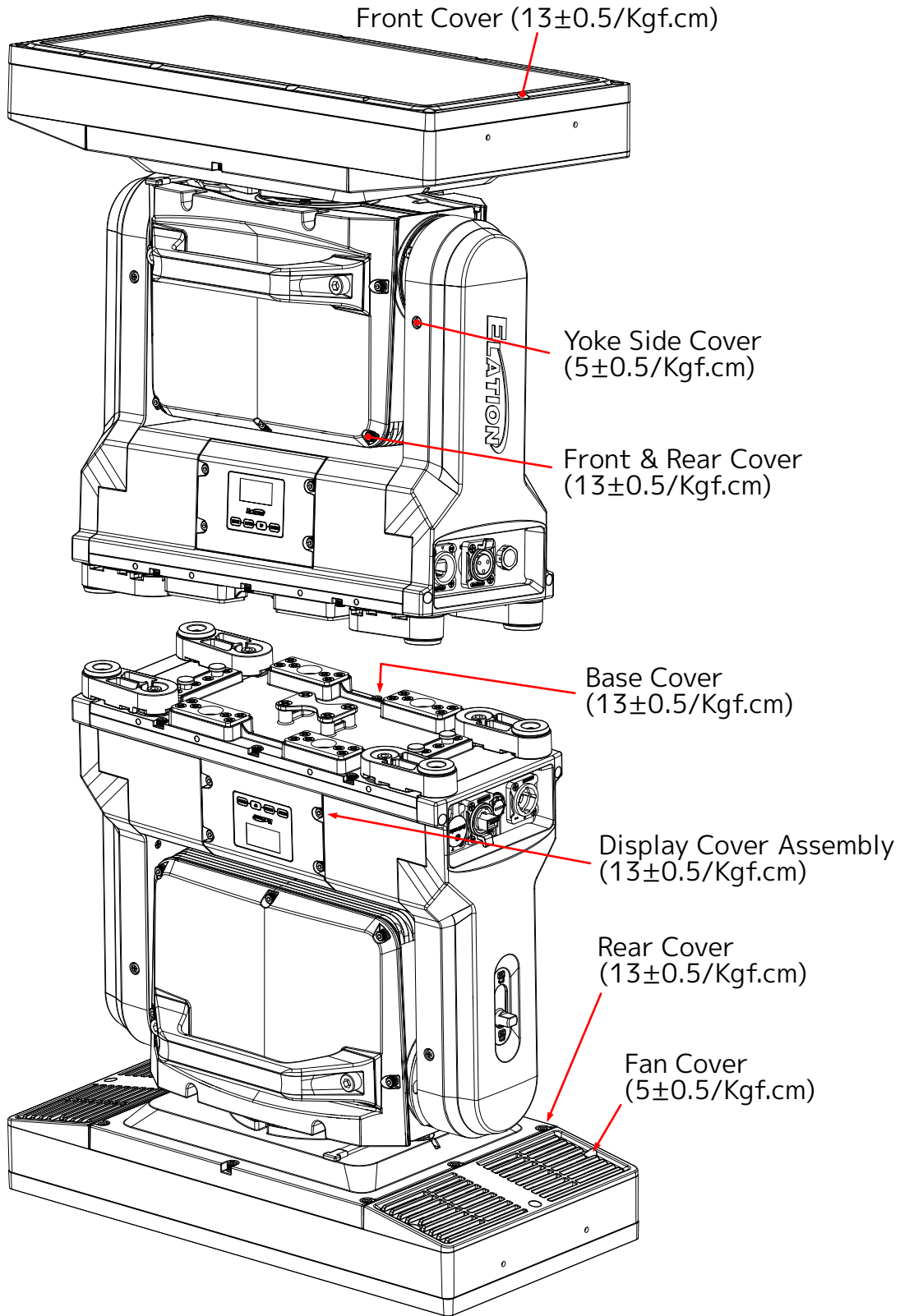
INDIVIDUALS SUFFERING FROM A RANGE OF EYE CONDITIONS, SUNLIGHT EXPOSURE DISORDERS, OR INDIVIDUALS USING PHOTSENSITIVE MEDICATION, MAY RECEIVE DISCOMFORT IF EXPOSED TO THE ULTRAVIOLET UV LIGHT EMITTED FROM THE UV LED.

- **DO NOT TOUCH** the fixture housing during operation. Turn OFF the power and allow approximately 15 minutes for the fixture to cool down before serving.
- **DO NOT** shake fixture, avoid brute force when installing and/or operating fixture.
- **DO NOT** operate fixture if the power cord is frayed, crimped damaged and/or if any of the power cord connectors are damaged and do not insert into the fixture securely with ease.
- **NEVER** force a power cord connector into the fixture. If the power cord or any of its connectors are damaged, replace it immediately with a new one of similar power rating.
- **DO NOT** block any air ventilation slots.
- All fan and air inlets must remain clean and never blocked.
- Allow approx.6”(15cm) between fixture and other devices or a wall for proper cooling.
- Always disconnect fixture from main power source before performing any type of service and/or cleaning procedure. Only handle the power cord by the plug end, never pull out the plug by tugging the wire portion of the cord.
- During the initial operation of this fixture, a light smoke or smell may emit from the interior of the fixture. This is a normal process and is caused by excess paint in the interior of the casing burning off from the heat associated with the lamp and will decrease gradually over time.
- Consistent operational breaks will ensure the fixture will function properly for many years.
- **ONLY** use the original packaging and materials to transport the fixture in for service.

OVERVIEW



TORQUE SETTINGS FOR SCREWS



**CAUTION! DO NOT OVER TORQUE SCREWS AS THIS CAN CAUSE LEAKAGE ISSUES!
TO CONFIRM THE IP65 INTEGRITY, TEST FIXTURE USING THE ELATION IP TESTER.
CONTACT ELATION SERVICE FOR MORE DETAILS.**

IP TEST PARAMETERS

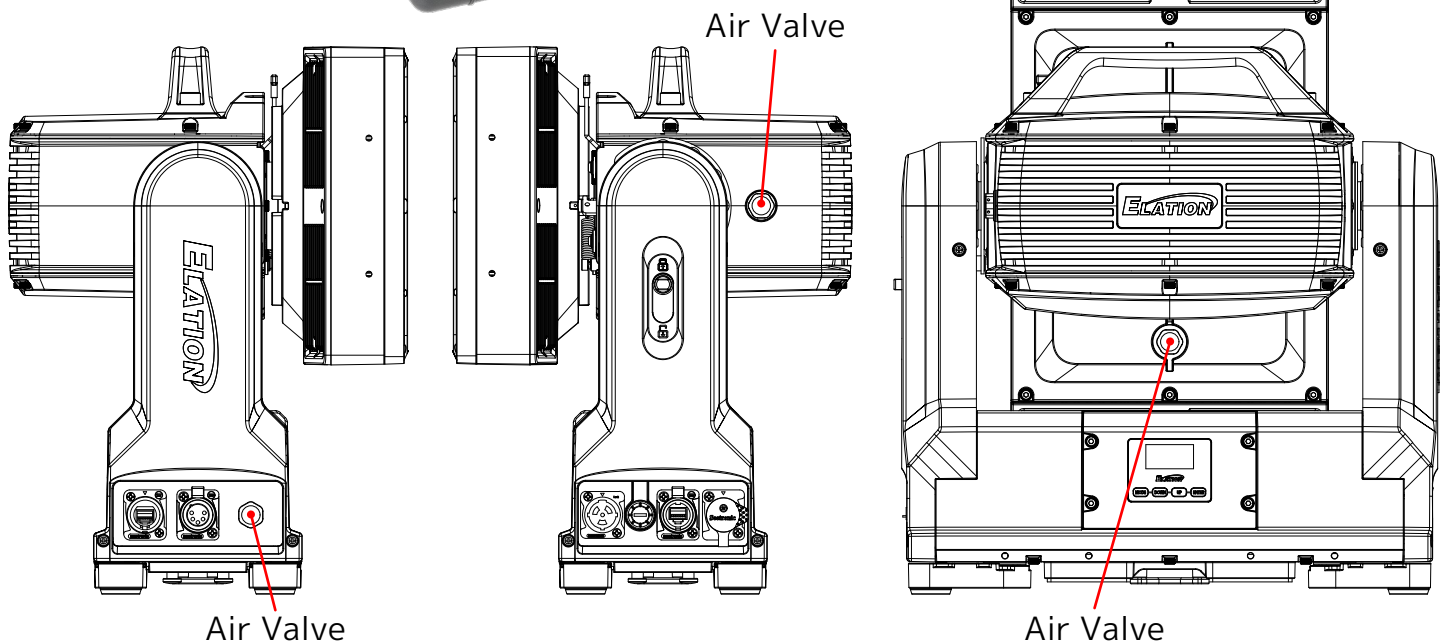
Following any repair or maintenance procedure that requires disassembly of the fixture, use Elation's IP Tester to confirm the IP integrity of the fixture. The air valve is located on the back panel next to the display screen, as shown in the diagram below. Please contact Elation Service for information regarding the Elation IP Tester, or visit the product information page online at: <https://www.elationlighting.com/ip-tester>



CAUTION! THE USE OF PROTECTIVE GLOVES AND SAFETY GOGGLES IS STRONGLY RECOMMENDED WHILE PERFORMING THE IP PRESSURE TEST! AVOID PLACING YOUR FACE, EYES, HANDS, ETC IN PROXIMITY TO THE LENS OF THE FIXTURE WHILE PERFORMING THE TEST!

DE-HUMIDIFICATION: IP65 fixtures operating in high-humidity environments may experience residual fogging or condensation. Such fogging will not affect the fixture, and can be removed using the following procedure: position the unit with the air valve pointing upwards, then open the air valve and run the unit for 1-2 hours after reaching operating temperature. Then, while the fixture is still hot, re-install the air valve and allow the unit to cool down. Please note: this procedure should be performed in a dry, climate-controlled environment. Avoid additional fogging by drying the fixture completely before placing into a road case.

Elation Product	Minimum Value		Maximum Value		Inflation Time	Balance Time	Inspection Time	Leakage
	Kpa	Psi	Kpa	Psi	S	S	S	Pa
Elation Pulse Panel FX	20	3	23	3	40	15	15	>100



INSTALLATION GUIDELINES



FLAMMABLE MATERIAL WARNING

Keep fixture minimum 5.0 feet (1.5m) away from flammable materials and/or pyrotechnics.



ELECTRICAL CONNECTIONS

A qualified electrician should be used for all electrical connections and/or installations.



MINIMUM DISTANCE TO OBJECTS/SURFACES IS 1 FOOT (0.3 METERS)



MINIMUM DISTANCE OF FLAMMABLE MATERIALS FROM THE SURFACE IS 1.6 FEET (0.5 METER)



MAXIMUM AMBIENT TEMPERATURE 113° F (45°C)



DO NOT INSTALL THE FIXTURE IF YOU ARE NOT QUALIFIED TO DO SO!

Fixture **MUST** be installed following all local, national, and country commercial electrical and construction codes and regulations.

Before rigging/mounting a single fixture or multiple fixtures to any metal truss/structure or placing the fixture(s) on any surface, a professional equipment installer **MUST** be consulted to determine if the metal truss/structure or surface is properly certified to safely hold the combined weight of the fixture(s), clamps, cables, and accessories.

Fixture(s) should be installed in areas outside walking paths, seating areas, or away from areas where unauthorized personnel might reach the fixture by hand.

NEVER stand directly below the fixture(s) when rigging, removing, or servicing.

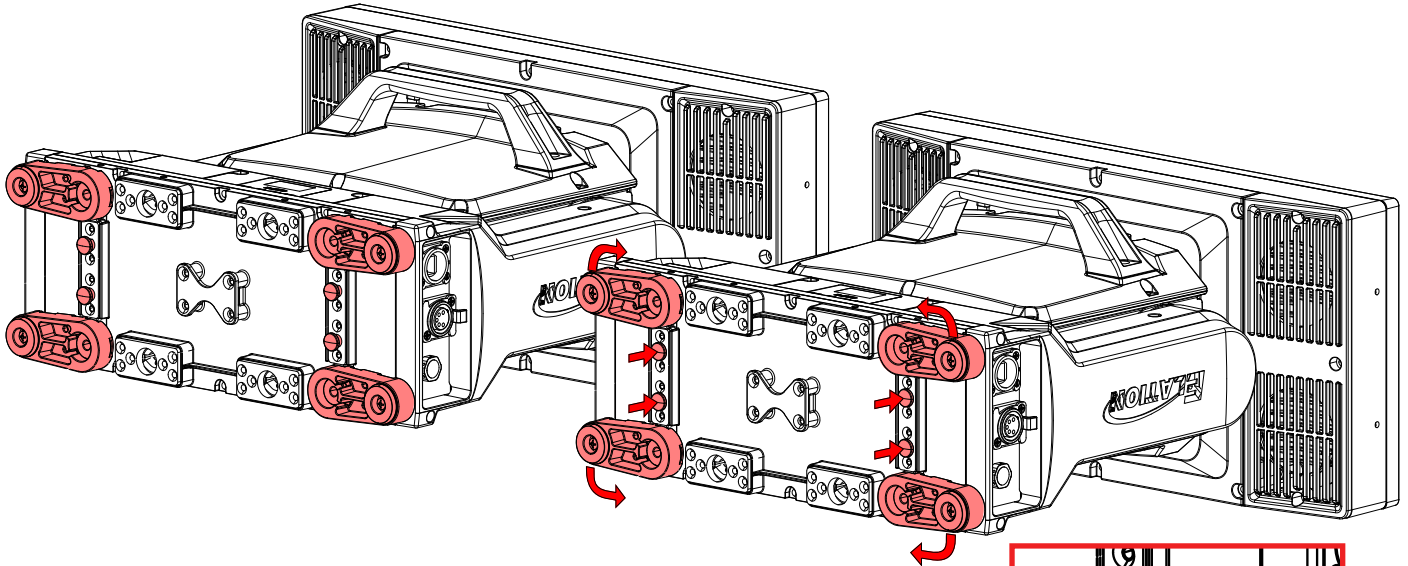
Overhead fixture installation must always be secured with a secondary safety attachment, such as an appropriately rated safety cable.

Allow approximately 15 minutes for the fixture to cool down before servicing.

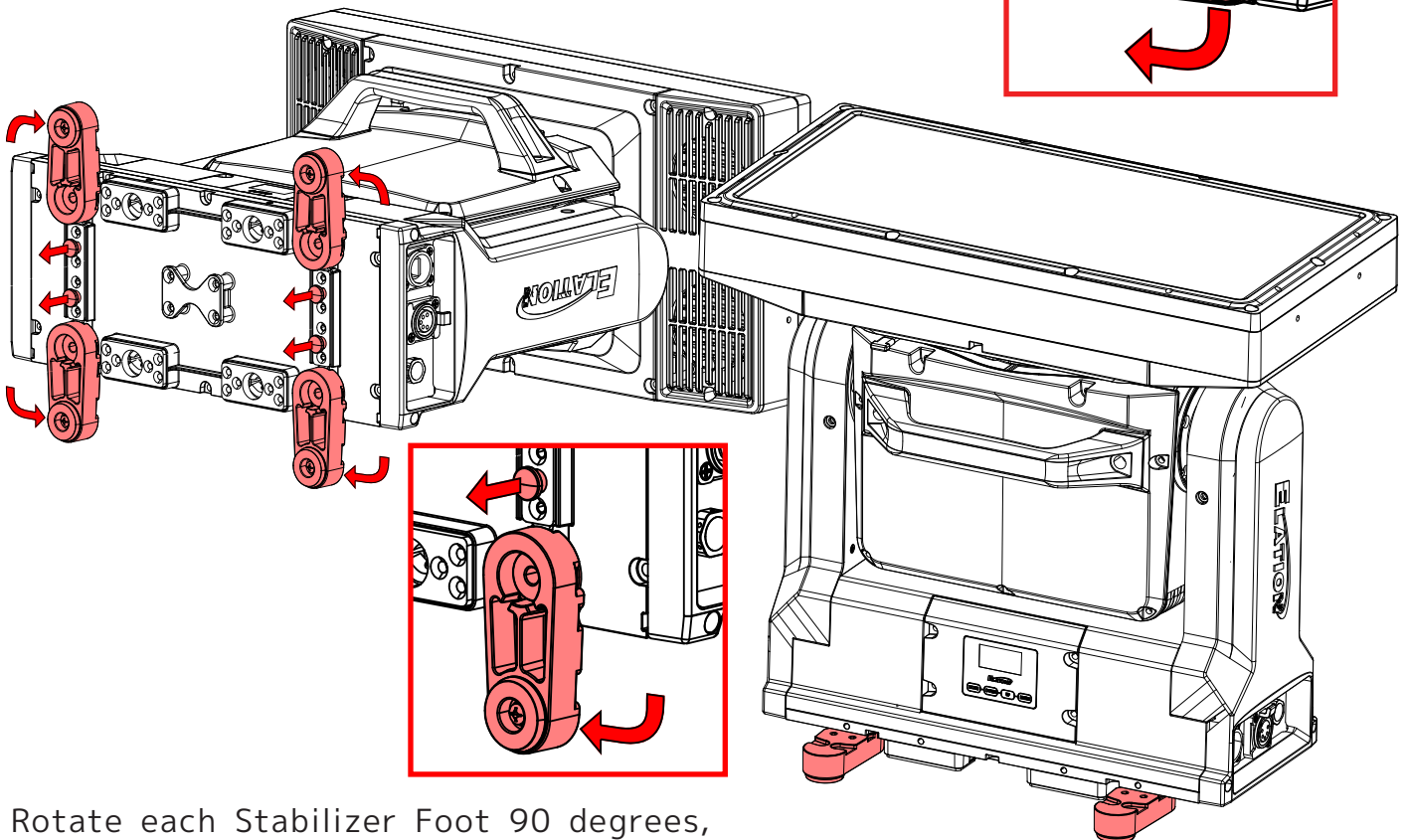
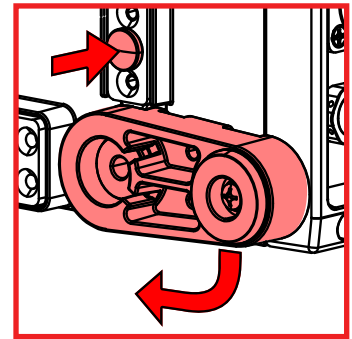
INSTALLATION GUIDELINES

STABILIZER FEET

The Stabilizer Feet, when rotated 90 degrees and locked, function like outriggers to stabilize the Pulse Panel FX fixture in a floor-standing application.



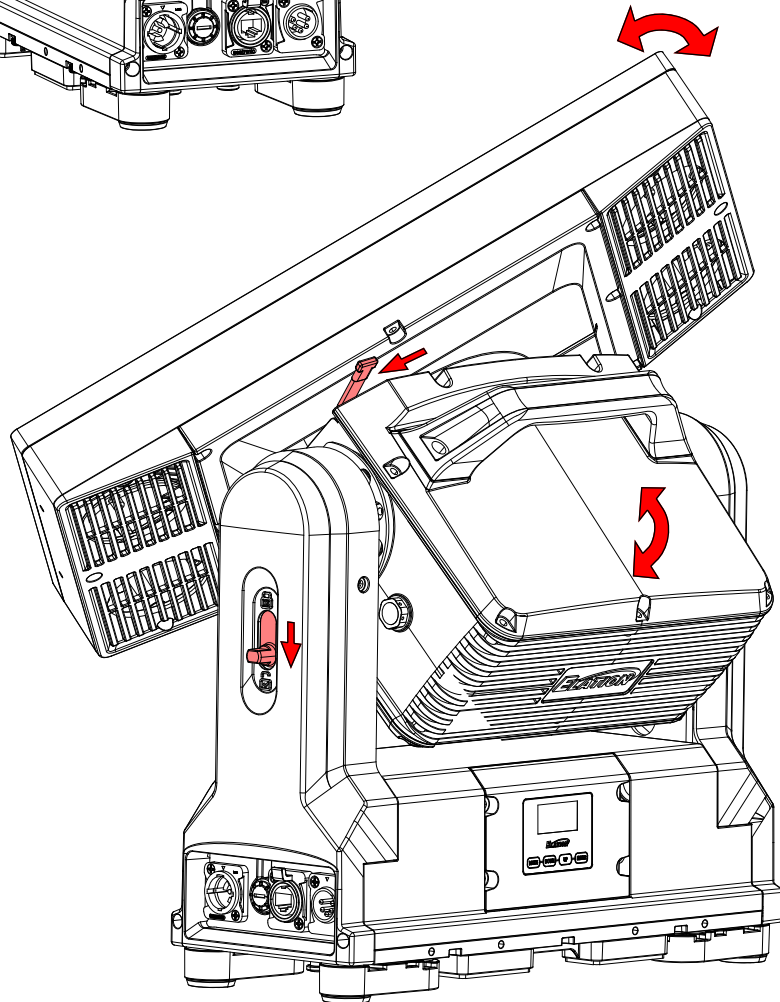
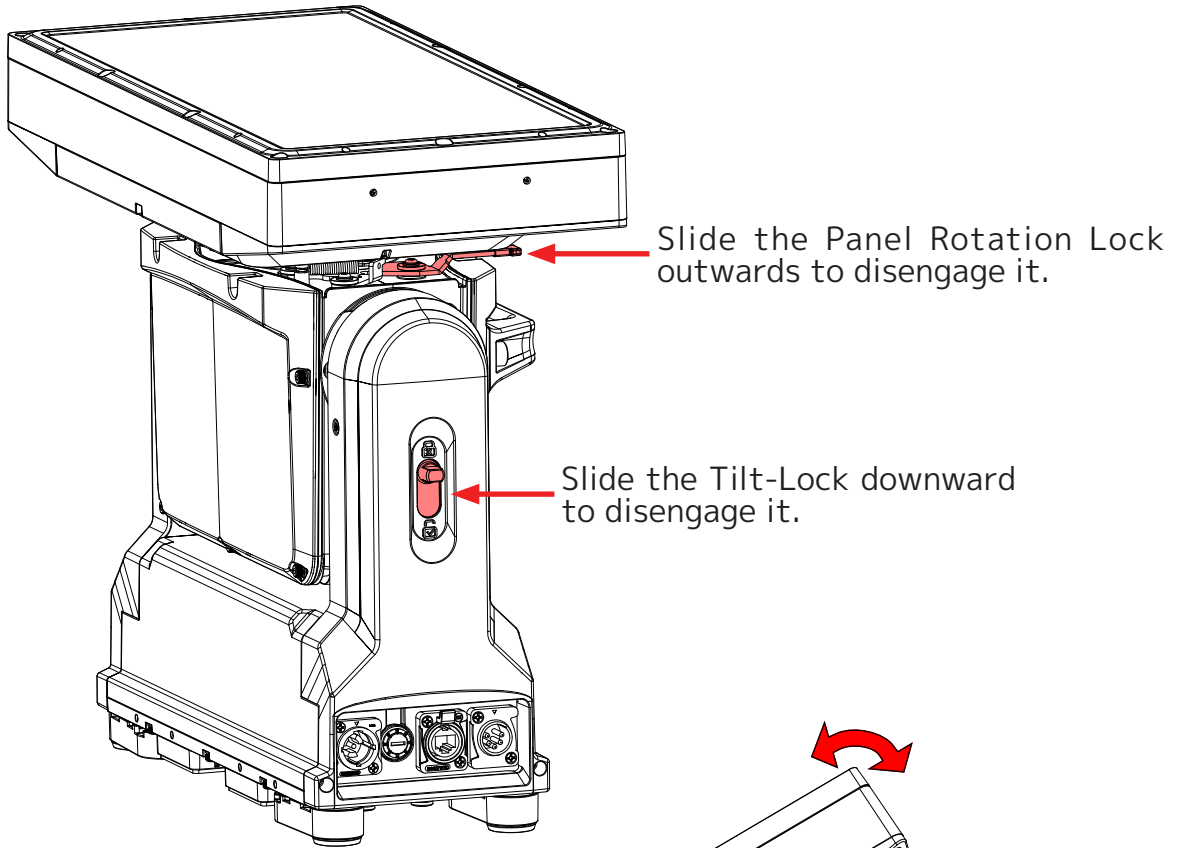
As the Stabilizer Feet Locks are spring-loaded, each lock needs to be pressed to rotate the Stabilizer Foot.



Rotate each Stabilizer Foot 90 degrees, perpendicular to its initial position, until its lock snaps.

INSTALLATION GUIDELINES

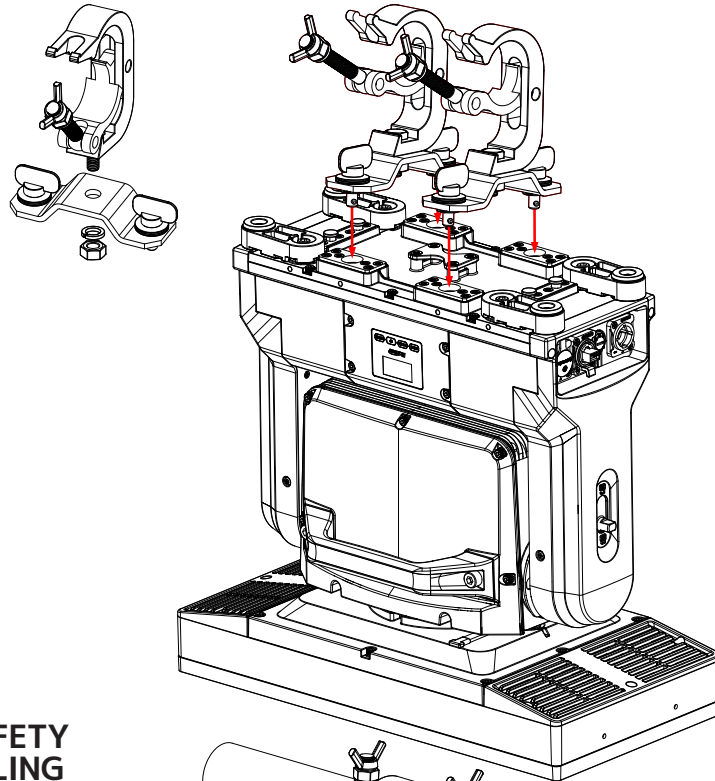
TILT-LOCK AND PANEL ROTATION LOCK



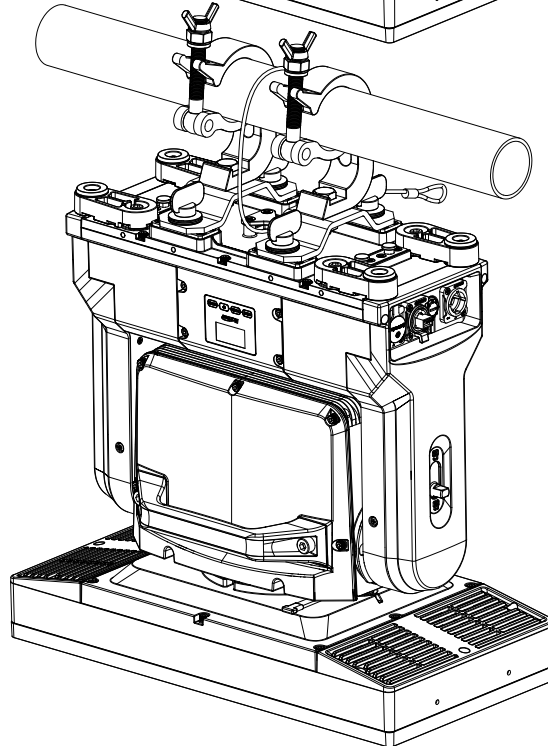
INSTALLATION GUIDELINES

OMEGA BRACKETS WITH CLAMP INSTALLATION

Insert the Omega Brackets into the matching holes on the fixture base. Secure the Omega Brackets to the fixture by turning each quick-lock fastener $\frac{1}{4}$ turn clockwise; making sure the fastener is completely locked. Omega Brackets can be installed into the fixture base as illustrated below.



**SAFETY CABLE
ALWAYS ATTACH AN
APPROPRIATELY RATED SAFETY
CABLE WHENEVER INSTALLING
THIS FIXTURE IN A SUSPENDED
ENVIRONMENT TO ENSURE THE
FIXTURE WILL NOT FALL IF THE
CLAMP FAILS.**



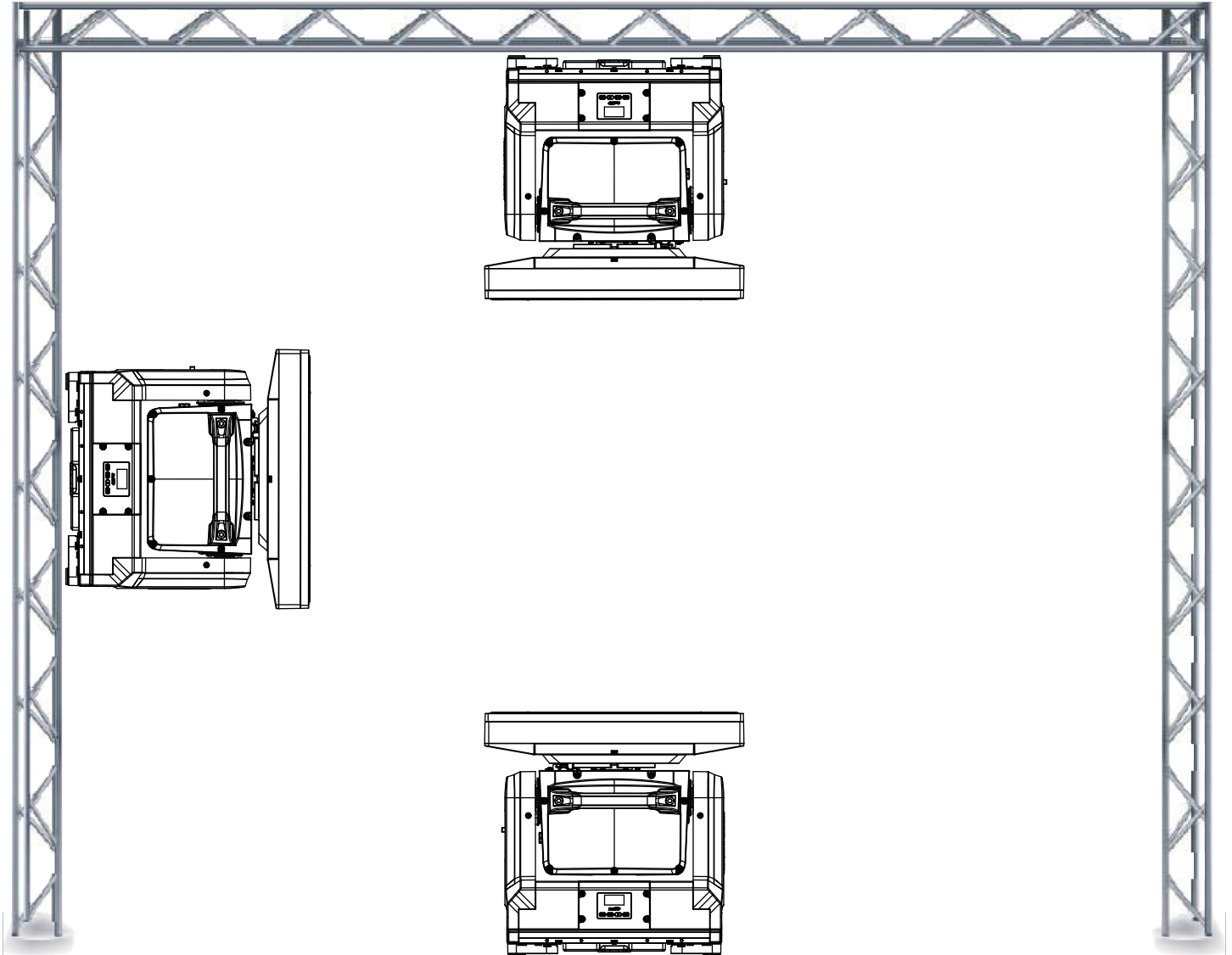
MOUNTING THE FIXTURE ON A TRUSS USING CLAMPS WITH OMEGA BRACKETS

When mounting the fixture to a truss, be sure to secure an appropriately rated professional grade rigging clamp to the included **Omega Brackets** using an M10 or M12 screw fitted through the center hole of the **Omega Brackets**. The fixture provides a built-in rigging point for a **SAFETY CABLE** (not included). Be sure to use the designated rigging points for the safety cable and never secure a safety cable to a carrying handle.

INSTALLATION GUIDELINES

FIXTURE INSTALLATION

The Elation Pulse Panel FX is fully operational in three different mounting positions, hanging upside-down, mounted sideways on trussing, or set on a flat level surface. Always use and install the supplied safety cable as a safety measure to prevent accidental damage and/or injury in the event the clamp fails.



FALLING FIXTURES CAN CAUSE SEVERE INJURY OR SERIOUS EQUIPMENT DAMAGE! FOR THIS REASON, FIXTURES SHOULD BE INSTALLED AND INSPECTED ONLY BY QUALIFIED PERSONNEL. DO NOT INSTALL THE UNIT IF YOU LACK THE QUALIFICATIONS TO DO SO, OR IF YOU HAVE DOUBTS ABOUT THE SAFETY AND SECURITY OF THE INSTALLATION SETUP OR LOCATION!



ALWAYS ATTACH A SAFETY CABLE WHENEVER INSTALLING THIS FIXTURE IN A SUSPENDED ENVIRONMENT TO ENSURE THE FIXTURE WILL NOT FALL IF THE CLAMP FAILS.

INSTALLATION GUIDELINES

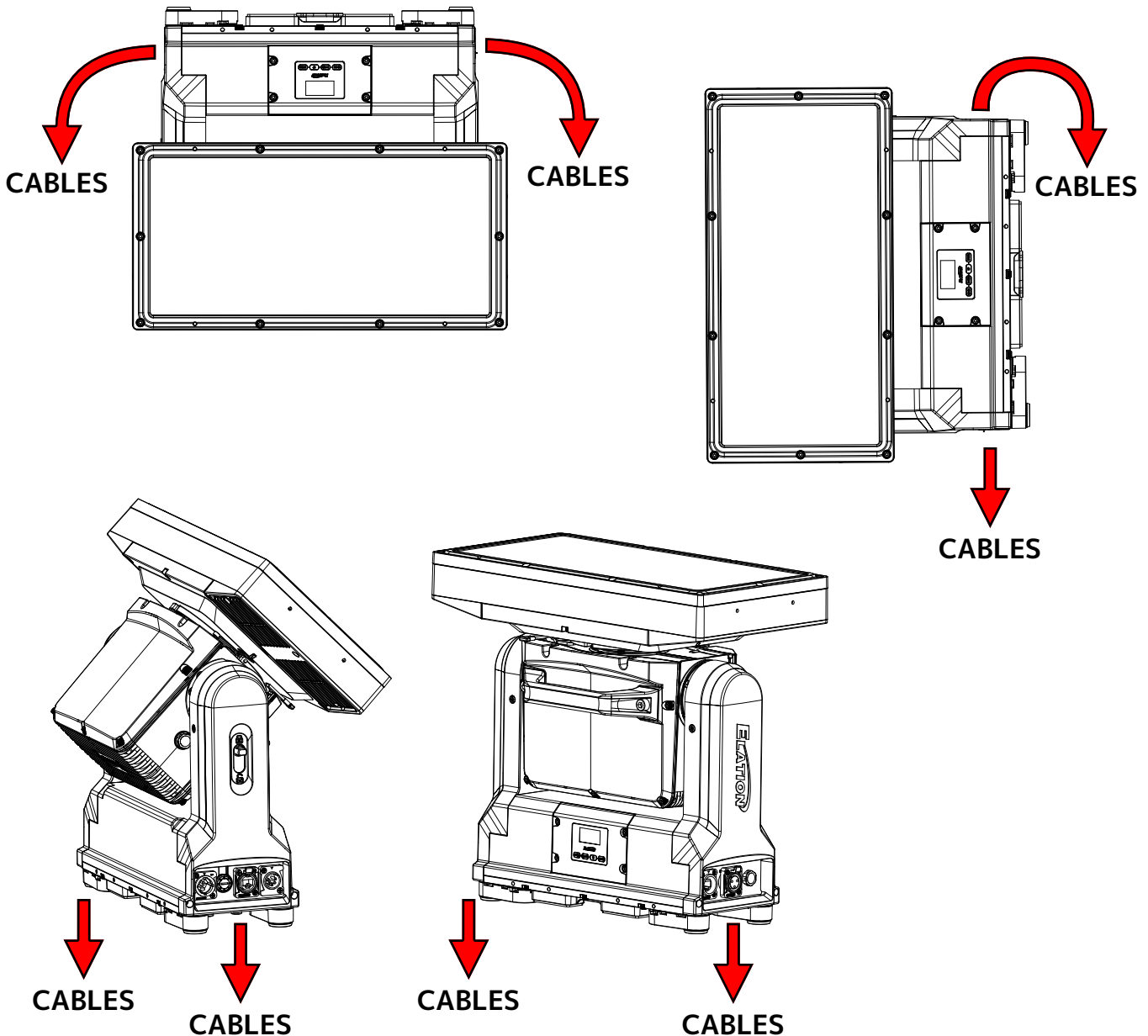
ART-NET | sACN CONNECTION

When connecting fixture to a network switch to control multiple devices, a Gigabit Ethernet Switch that supports IGMP (Internet Group Management Protocol) is required. Using a Gigabit Ethernet Switch that does not support IGMP can cause erratic behavior of all connected devices to the switch.

POWER AND DATA CABLES



REGARDLESS OF FIXTURE ORIENTATION, TO MAINTAIN THE IP65 RATING INTEGRITY OF THE FIXTURE, ALL CABLES MUST BE ROUTED TOWARDS THE GROUND TO PREVENT WATER ACCUMULATION AROUND THE CONNECTIONS.



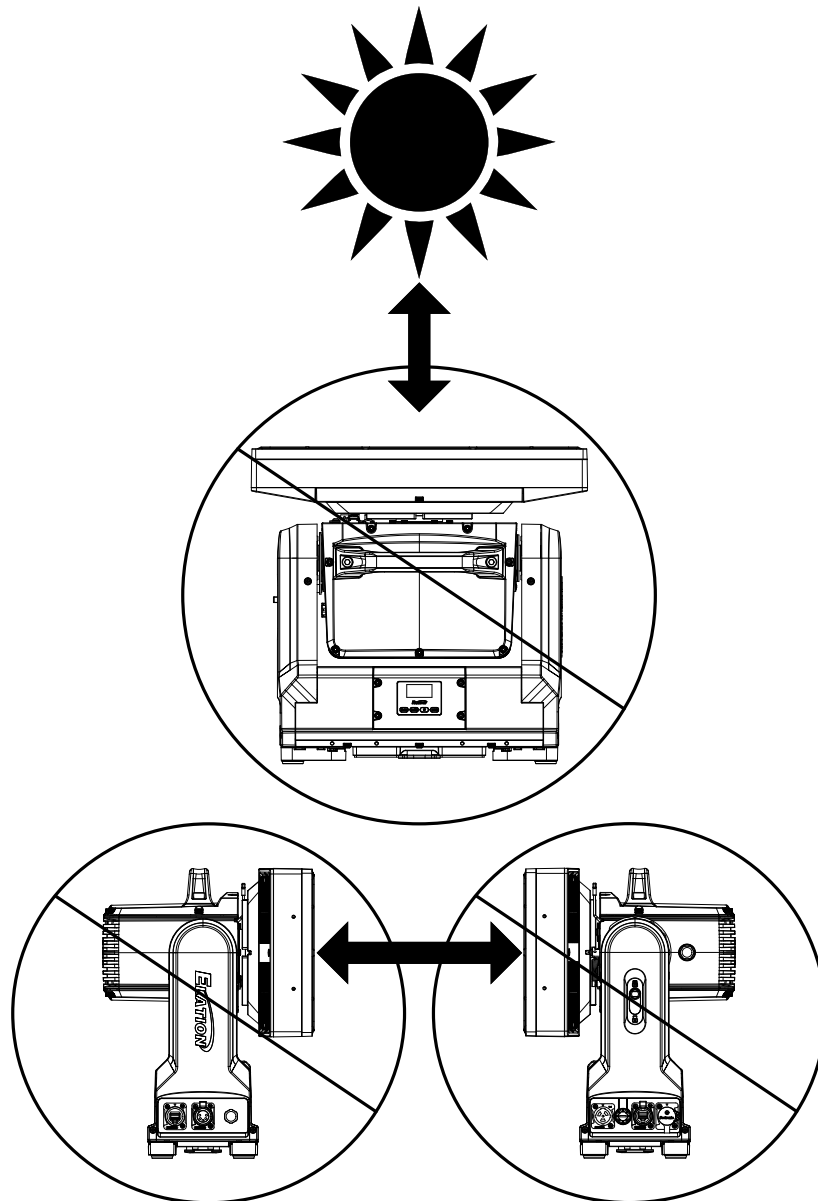
INSTALLATION GUIDELINES

POTENTIAL INTERNAL FIXTURE DAMAGE FROM EXTERNAL SOURCES OF LIGHT BEAMS

External sources of light beams from direct sunlight, lighting moving head fixtures, and lasers, which are focused directly towards the exterior housing and/or penetrate the front lens opening of ELATION lighting fixtures, can cause severe internal damage including burning to optics, dichroic color filters, glass and metal gobos, prisms, animation wheels, frost filters, iris, shutters, motors, belts, wiring, discharge lamps, and LEDs.

This issue is not specific only to ELATION lighting fixtures, it is a common issue with lighting fixtures from all manufacturers. Although there is no true way to fully prevent this issue from happening, the guidelines below can prevent any potential damage from occurring if followed. Contact ELATION Service for more details.

DO NOT EXPOSE THE FIXTURE AND/OR FRONT LENS OPENING TO LIGHT BEAMS FROM DIRECT SUNLIGHT, OTHER LIGHTING MOVING HEAD FIXTURES, AND LASERS WHILE UNPACKING, INSTALLATION, USE, AND EXTENDED IDLE TIMES OUTDOORS. DO NOT FOCUS A LIGHT BEAM FROM ONE LIGHTING FIXTURE DIRECTLY TOWARDS ANOTHER.



MODES AND FEATURE GUIDE

SUN PROTECTION MODE

The fixture incorporates an automatic protection from harmful sunlight, which can damage a fixture's internal components from extended exposure. Fixtures use an internal sensor to determine their physical orientation, then reorient the fixture towards the ground to prevent sunlight from entering the lens.

This automatic feature only works when the fixture is powered. If the fixture is unpowered during setup, it is necessary to manually reorient the lenses away from the sun, and aim them towards the ground. Even a few minutes of sun exposure can cause damage inside the fixture.

The Sun Protection setting is accessed via the "No DMX Status" menu.

The automatic sun protection positioning is activated under the following conditions:

1. Power on without DMX signal: the fixture always starts in sun protection mode.
2. No DMX Status "Sun Protection": the fixture enters sun protection mode after approximately 3 minutes.
3. Remote DMX control: the sun protection position can be **temporarily** activated from the lighting console without the need to create a custom position preset. The fixture senses the correct ground orientation. This means that fixtures already facing the ground may not move their heads.

Hold "Sun Protect Position" for 3s to set the fixture to the sun protection position.

Sun protection status displays as "**Sun Protection: Active**".

The sun protection position deactivates under the following conditions:

1. Connect DMX signal.
2. Remote DMX control: Hold "Sun Protection Off" for 3s.

To avoid harsh or jarring movements, the sun protection position always uses a 5-second fade time when it is activated or deactivated.

HIBERNATION MODE

To reduce wear on the fixture and its components, this mode disables motors and most electronics. Set the hibernation mode countdown time in the Display Menu: "Status Settings / Personality / Hibernation". Hibernation can be fully disabled.

The hibernation mode activates under the following conditions:

1. Loss of DMX: the fixture enters hibernation after the timeout expires. Default is 15 minutes.
2. Remote DMX control: Hold "Hibernate Fixture" for 3s

The hibernation mode deactivates under the following conditions:

1. Connect DMX Signal
2. Remote DMX control: Hold "Hibernate Off" for 3s

The fixture will perform a full calibration cycle, then assume the current DMX status.

Please note that the Hibernation does not change the PT position of the fixtures, allowing the user to set the desired position and then issue the Hibernate command.

To ensure the fixture is protected from harmful sunrays it is recommended to either leave the "No DMX Status" in "Sun Protection" (so the fixture is already in the correct position after 3 minutes of DMX loss) or set the fixture to a safe Tilt position manually first before hibernation.

Burn and heat damage to the fixture's interior components due to external light sources (sun or other fixtures shining into the lens) is never covered under the manufacturers warranty.

MODES AND FEATURE GUIDE

FAN MODES AND LOW NOISE OPERATION

This is a high-performance fixture suited for multiple applications. For noise critical environments such as Theater, Opera or Orchestra Halls, it offers various fan operation modes which remove any distraction for the audience and performers. Fan Modes can be changed remotely via the DMX control channel, allowing the fixture to offer high output or whisper silent operation at a moment's notice. All Fan Modes smoothly transition over a brief time, preventing unwanted attraction to the fixture.

Auto (Default)—Fans only run at the speeds needed to keep the LED engine within a safe temperature range and ensures optimal performance of the fixture. If possible, they will turn-off, for example, when the fixture is dimmed to a low intensity. Fans sense the ambient and fixture temperature, and will always try to keep noise levels to a minimum. The fixture output will only reduce when the LED engine cannot be cooled down to its safe operating range due to high ambient temperature.

NOTE: Recommended for daily operation.

High—Fan speeds are increased throughout for the most efficient cooling of the fixture. This mode will increase wear on the fans and should only be utilized in exceptional circumstances. Fans will always run, even if the fixture is dimmed down. Fixture output is kept at 100% unless the LED engine temperature reaches an unsafe temperature at which point the fixture will reduce power carefully to ensure continued safe operation. This mode is only required in very high ambient temperatures when automatic fan speed adjustments are not desired.

Silent—For very critical noise environments, the fixture offers Silent Mode where the fixture output will be reduced, yet due to the extremely high luminous flux, the fixture still offers outstanding performance. In Silent Mode, all parameters of the fixture operate more quietly at 75-80% max output, and fans run at low speed.

MODES AND FEATURE GUIDE

DISABLE PAN FEATURE

Due to the Pulse Panel FX's Spin or Pan effect, the fixtures must be spaced apart to prevent LED panel collisions (see Dimension Drawings on page 65 for spacing dimensions). Some DMX modes do not include a PAN control channel; however, during startup or reset processes, the PAN motor will still home itself. For situations where fixtures need to be placed directly next to one another or against an object, a DISABLE PAN setting is available in the fixture menu. When this feature is set to ON, the pan motor will not respond to any commands and will not home on startup or reset. When this setting is ON, the fixture head can be manually rotated to any desired angle, and it will maintain that position while powered. To ensure the head doesn't move when power is removed, the pan lock mechanism can be used. If the pan lock mechanism is engaged, remember to disable the lock before turning the DISABLE PAN feature OFF.

DUAL UNIVERSE CONTROL

There may be situations where the LED panel and the physical fixture control need to be managed on separate control signal networks. To accommodate this, we have introduced a DUAL UNIVERSE CONTROL option. To enable DUAL UNIVERSE CONTROL, navigate to the menu subsection and select 'YES.' You will then be able to choose the network protocol for controlling the LED panel, either ArtNet or Klingnet. Once you have made your selection, set the desired Universe and Address. The LED panel will be assigned to the selected control signal network. In this mode, the physical fixture control will use the DMX network and the DMX mode chosen in the menu, while the LED control will be managed separately using the 156CH LED PANEL Mode.

ZONE LINKING

The Pulse Panel FX stands out from other fixtures due to its ability to offer more individually controllable zones and LED types. While this feature is unique, there might be instances where users or applications require a different level of control. To cater to these needs, we've developed multiple DMX modes that reduce the overall number of control zones. However, there may still be a need for further customization of modes or the fixture's appearance. To provide greater flexibility in using the fixture, we've introduced Zone Linking capabilities.

Zone Linking allows users to modify the control and behavior of the RGB StrobeLine and Top and Bottom CW Strobe LEDs. The Top and Bottom CW Strobe LEDs can be controlled in three ways:

1. Default Zone Control adheres to the default DMX chart settings.
2. Top and Bottom CW Strip Link to Center CW strip, will ignore the assigned channels and follow the corresponding center CW strobe LED zones.
3. Top and Bottom CW Strobe Inactive, top and bottom CW strobe lines completely disabled and turned off, if the user or designer prefers not to include the look they provide.

Zone Linking for the RGB StrobeLine LEDs offers even more options and flexibility:

1. Default Zone Control adheres to the default DMX chart settings.
2. RGB StrobeLine Link to Top Center CW Strobe mirrors the top center CW Strobe LEDs in white light only, blending into one large central strobe array.
3. RGB StrobeLine Link to Top RGB mirrors the top RGB plate LED zones.
4. RGB StrobeLine Link to Bottom RGB mirrors the bottom RGB plate LED zones.
5. RGB StrobeLine Inactive completely disables and turns off the RGB StrobeLine LEDs.

When Zone Linking is enabled, the originally assigned DMX channels are ignored and will have no effect on the fixture output.

MODES AND FEATURE GUIDE

FX FUNCTIONS AND FEATURES

Multi-zone fixtures, such as the Pulse Panel FX, can be time-consuming to create and record impactful effects. Due to limitations in DMX channels, it may not be possible to fully utilize the fixture's capabilities. To address this, we have developed new methods for programmers to control and customize the effects, so that the maximum DMX channel layout is not required to achieve the visual impact the fixture can provide.

This new FX control method includes multiple settings that can be adjusted and selected to customize any prebuilt effect selected from the fixture library. The fixture separates the effects for the CW Strobe Zones and the RGB Zones, allowing for two different looks to be selected simultaneously. Both effect types offer the same level of customization, except for color.

The fixtures come with a prebuilt library of effects. Selecting an effect is done in the EFFECT SELECTION channel. Once an effect is selected, the EFFECT SPEED channel will adjust the speed at which the effect is played back and can also be used to reverse the direction of the effect. A new concept we've added is EFFECT SIZE. This channel allows for an effect that uses a small portion of the fixture zones to use a larger portion of zones, up to treating the full LED panel as one large pixel. Because the size is on a variable control channel, the effects can be even more dynamic than previously possible.

The third channel of control for the FX Functions allows for the timing offset of the effects. If the fixtures are set in a line next to one another and an effect needs to move seamlessly from one fixture to the next, the offset can be adjusted accordingly until the desired look is achieved. Within the same channel, you can also customize the steps for the effect by selecting different randomization settings, so each step, selected pixel, or selected fixture is unique. Finally, within that channel, the fade between each step of the effects can be adjusted as well.

REMOTE DEVICE MANAGEMENT (RDM)

NOTE: In order for RDM to work properly, RDM enabled equipment must be used throughout the entire system, including DMX data splitters and wireless systems.

Remote Device Management (RDM) is a protocol that sits on top of the DMX512 data standard for lighting, and allows the DMX systems of the fixtures to be modified and monitored remotely. This protocol is ideal for instances in which a unit is installed in a location that is not easily accessible.

With RDM, the DMX512 system becomes bi-directional, allowing a compatible RDM enabled controller to send out a signal to devices on the wire, as well as allowing the fixture to respond (known as a GET command). The controller can then use its SET command to modify settings that would typically have to be changed or viewed directly via the unit's display screen, including the DMX Address, DMX Channel Mode, and Temperature Sensors.

FIXTURE RDM INFORMATION:

Device ID	Device Model ID	RDM Code	Personality ID
0000-FFFF	44	0x22A6	8CH Xenon Strobe 16CH Simple Strobe 27CH Strobe FX 50CH Large Pixels 62CH Simple Pixel Pro- No Pan 65CH Simple Pixel Pro 175CH Pixel Focus 90CH Basic Full Contro- No Pan 93CH Basic Full Control 183CH Full Control 161CH Raw Mode 156CH LED Panel

Please be aware that **not all RDM devices support all RDM features**, and therefore it is important to check beforehand to ensure that the equipment that you are considering includes all of the features that you require.

The following parameters are accessible in RDM on this device:

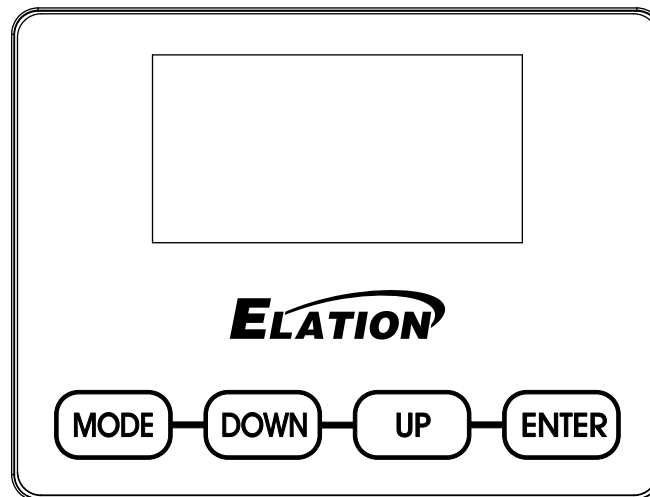
[0x0011] Proxied Device count	[0x0500] Display Invert
[0x0200] Sensor Definition	[0x0501] Display Level
[0x0201] Sensor Value	[0x0603] Realtime Clock
[0x0080] Device Model Description	[0x1010] Power State
[0x0081] Manufacturer Label	[0x1031] Preset Playback
[0x0082] Device Label	[0x0122] Default Slot Value
[0x00E0] DMX Personality	[0x00B0] Language
[0x00E1] DMX Personality Description	[0x00A0] Language Capabilities
[0x0400] Device Hours	[0x00C2] Boot Software Version Label
[0x0015] Comms Status	[0x00C1] Boot Software Version ID
[0x0031] Status ID Description	[0x0070] Product Detail ID List
[0x0032] Clear Status ID	[0x0030] Status Messages
[0x0405] Device Power Cycles	[0x0000] Undefined PID [0x0000, (0)]

SYSTEM MENU

The fixture includes an easy to navigate system menu. The control panel display is located on the rear panel of the fixture (see image below) and provides access to the main system menu, where all necessary system adjustments are made to the fixture. During normal operation, pressing the **MODE** button once will access the fixture's main menu. Once in the main menu you can navigate through the different functions and access the sub-menus with the **DOWN** and **UP** buttons. Once you reach a field that requires adjusting, press the **ENTER** button to activate that field and use the **DOWN** and **UP** buttons to adjust the field. Pressing the **ENTER** button once more will confirm the setting. Exit the main menu at any time without making any adjustments by pressing the **MODE** button.

PERMANENT INSTALLATION SETTING AND PHANTOM TOUCH

A phantom touch on an LCD screen is an unexpected, unprompted touch that seems to occur without any physical contact, like a raindrop. When installing any fixture in a permanent setting, we recommend setting your display to lock after 10-seconds and not the **OFF** setting. Units in a permanent setting are exposed to various conditions, if a unit is set to **OFF**, the display may interpret a raindrop as a command and change the fixture's setting through a phantom touch. Setting the display to lock after 10-seconds, and not setting the display to **OFF**, prevents this scenario.



PULSE PANEL FX



AN ELATION C-LOADER II CAN ALSO BE USED TO UPDATE THE FIXTURE TO THE LATEST SOFTWARE. To order this device, please contact Elation Support for further details.

Detailed instructions can be found online at www.elationlighting.com.

ELATION SERVICE USA - Monday - Friday 8:00am to 4:30pm PST
323-582-3322 | support@elationlighting.com

ELATION SERVICE EUROPE - Monday - Friday 08:30 to 17:00 CET
+31 45 546 85 63 | Fax +31 45 546 85 96 | support@elationlighting.eu

SYSTEM MENU

MAIN MENU		OPTIONS / VALUES (Default Settings in BOLD)		
DMX	DMX Address	001 - 512		
	DMX Mode	8CH Xenon Strobe		
		16CH Simple Strobe		
		27CH Strobe FX		
		50CH Large Pixels		
		62CH Simple Pixel Pro- No Pan		Note: Pan Position Locked at 50%
		65CH Simple Pixel Pro		
		175CH Pixel Focus		
		90CH Basic Full Contro- No Pan		Note: Pan Position Locked at 50%
		93CH Basic Full Control		
		183CH Full Control		
		161CH Raw Mode		
	156CH LED Panel			
	No DMX Status	Hold Last , Fade to Black, Sun Protection		
		Hibernation	Off, 1-99M (Default = 15 min)	
	Protocol	Select Signal	DMX / Art-Net / sACN / Aria In - DMX Out / DMX In - Aria Out	
		Klingnet Active	Yes / No	
		Universe	0- 32767 (Default = 1)	
		IP Address	2.x.x.x	
		Subnet Mask	255.0.0.0	
Ethernet DMX Out		Off / On		
Dual Universe Control	Yes / No	Art-Net / Klingnet		
		Universe: 0- 32767 (Default = 2)		
		LED Address: 001 - 512		
Aria	Aria Channel	0 -14		
Control	Manual Control	Pan	0 - 255	
		Tilt	0 - 255	
		RGB Dimmer 0-255	000% - 100%	
		Red 0-255	0- 255	
		Green 0-255	0- 255	
		Blue 0-255	0- 255	
		CW Strobe Dimmer	000% - 100%	
		Virtual Color	See Color Macros	
	Primary	On / Off		
	Secondary	On / Off		
	Reset	All, Pan, Tilt		
	Self Test	All, Dimmer, Movement, Strobe LED, Color LED		

SYSTEM MENU

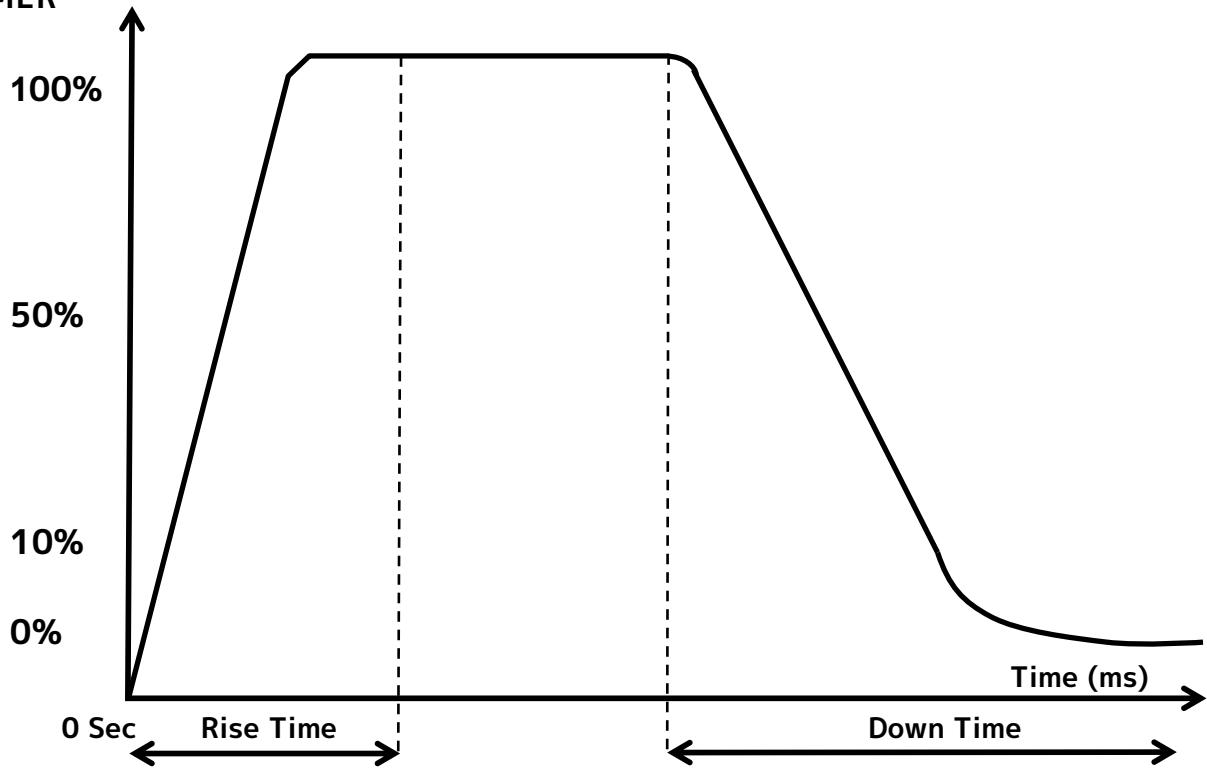
MAIN MENU	OPTIONS / VALUES (Default Settings in BOLD)		
Settings	Fan Mode	Auto , High, Silent	
	Movement	Pan Invert	Off / On
		Tilt Invert	Off / On
		Disable Pan	Off / On
		Pan Tilt Speed	1 - 4
		Pan Degree	360 / 540
		Pan Path	Continue / Short
		Pan Tilt Feedback	Off / On
	Dim Modes	Standard , Stage, TV, Architectural, Theatre, Stage 2	
		Dim Speed	0s - 10s (Default = 0.1s)
	Dim Curves	Linear, Square, Square Inverse, S-Curve	
	Zone Flip	Default Zone Arrangement	
		Flip Zones Horizontally	
		Flip Zones Vertically	
		Flip Zones Horizontally and Vertically	
	Zone Linking	Default Zone Control	
		Top and Bottom CW Strip Link to Center CW Strip	
		Top and Bottom CW Strobe Inactive	
		RGB StrobeLine Link to Top Center CW Strobe	
		RGB StrobeLine Link to Top RGB	
		RGB StrobeLine to Bottom RGB	
		RGB StrobeLine Inactive	
	LED Refresh Rate	900Hz - 1500Hz (1200hz), 2500Hz, 4000Hz, 5000Hz, 6000Hz, 10KHz, 15KHz, 20KHz, 25KHz	
LED Power Limit	50%, 60%, 70%, 80%, 90%, 100%		
Display	Screen Delay	10s - 5min (Default = 1 min)	
	Screen Lock	Off , 10s - 5 min	
	Rotate Display	Yes / No / Auto	
Reset Defaults	Yes / No		

SYSTEM MENU

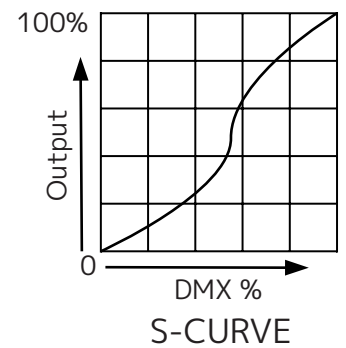
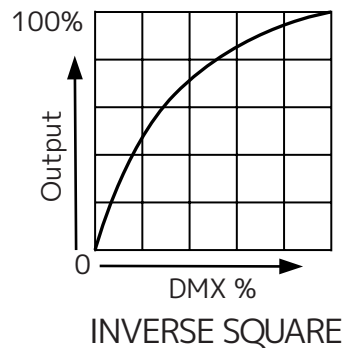
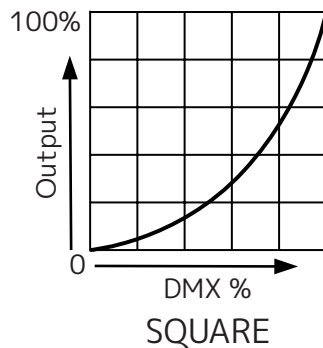
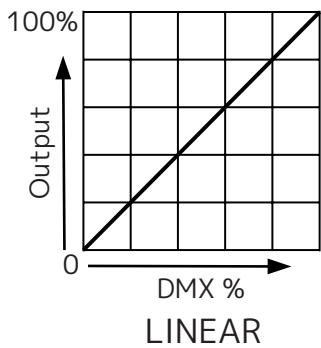
MAIN MENU	OPTIONS / VALUES (Default Settings in BOLD)	
Information	Time	Current Run Time
		Total Run Time
		Last Run Time
	Temperature	Head
		Base
		Max Resettable
	Fan Speed	Head
		Base
	DMX Values	Pan
		Tilt
...		
Product IDs	RDM UID	
Error Logs	Fixture Errors	
Software Version	Vx.x	
Service (Passcode= 050)	Calibration	Pan 000 - 255
		Tilt 000 - 255
		All Red 000 - 255
		All Green 000 - 255
		All Blue 000 - 255
		All CW Strobe 000 - 255
		Red 1 0-255
		Green 1 0-255
		Blue 1 0-255
	
		Red 36 0-255
		Green 36 0-255
		Blue 36 0-255
		CW Strobe 1 0-255
	
		CW Strobe 48 0-255
	Reset Last Run	Yes / No
	Reset Error Logs	Yes / No

DIMMER MODES & CURVES

DIMMER



Dimming Curve Ramp Effect	0 sec Fade Time		1 sec Fade Time	
	Rise Time (ms)	Down Time (ms)	Rise Time (ms)	Down Time (ms)
Standard (default)	0	0	0	0
Stage	780	1100	1540	1660
TV	1180	1520	1860	1940
Architectural	1380	1730	2040	2120
Theatre	1580	1940	2230	2280
Stage 2	0	1100	0	1660



DMX TRAITS: 8CH, 16CH, 27CH

Fixture Part Name	Xenon Strobe 8CH	Simple Strobe 16CH	Strobe FX 27CH	DMX Values	Function	Snap	Default Value
Main Fixture	1	1	1	0-255	Pan Left → Right		127
	2	2	2	0-255	Pan Fine Fine Pan Control		127
	3	3	3	0-255	Tilt Forward → Backward		127
	4	4	4	0-255	Tilt Fine Fine Tilt Control		127
	5	5	5		Pan Rotate 0-2 Disabled	X	255
				3-126	Rotate Clockwise Fast → Slow		
				127-129	No Rotation (Fixture Stops at Current Position)		
				130-253	Rotate Counter-Clockwise Fast → Slow		
				254-255	No Rotation (Fixture Stops at Current Position)		
	6		6	0-255	Master Dimmer Intensity 0 → 100%		0
		6	7	0-255	Strobe Dimmer Master Intensity 0 → 100%		0
	7	7	8	0-255	CW Strobe Duration Min → Max		0
	8	8	9	0-255	CW Strobe Rate Fast → Slow		0
	9	9	10		CW Strobe Mode 0-31 Single Strobe/Standard Mode	X	255
				32-63	Ramp Up		
				64-95	Ramp Down		
				96-127	Ramp Up → Ramp Down		
				128-159	Random		
				160-191	Double Flash		
				192-223	Triple Flash		
				224-255	No Effect		
		10	11	0-255	RGB Dimmer Master Intensity 0 → 100%		0
		11	12	0-255	RGB Strobe Duration Min → Max		0
		12	13	0-255	RGB Strobe Rate Fast → Slow		0
	13	13	14		RGB Strobe Mode 0-31 Single Strobe/Standard Mode	X	255
				32-63	Ramp Up		
				64-95	Ramp Down		
				96-127	Ramp Up → Ramp Down		
				128-159	Random		
				160-191	Double Flash		
				192-223	Triple Flash		
				224-225	Sync Dim and Strobe with CW Strobe		
226-255				No Effect			
	14	15	0-255	All Red Red Saturation 0 → 100%		0	
	15	16	0-255	All Green Green Saturation 0 → 100%		0	
	16	17	0-255	All Blue Blue Saturation 0 → 100%		0	

DMX TRAITS: 8CH, 16CH, 27CH

Fixture Part Name	Xenon Strobe 8CH	Simple Strobe 16CH	Strobe FX 29CH	DMX Values	Function	Snap	Default Value			
			18		CW Strobe Effect Selelection	X	0			
				0	Idle					
				1-40	FX Selection					
				41-127	Idle					
				128-167	FX Selection					
					168-255	Idle				
				19		CW Strobe Effect Speed		0		
					0-126	Slow → Fast				
					127-128	Stop				
					129-255	Rev Fast → Slow				
				20		CW Strobe Effect Size	X	0		
					0-50	Idle				
					51-60	1 Zone				
					61-70	2 Zone				
					71-80	4 Zone				
					81-90	6 Zone				
					91-100	8 Zone				
					101-110	12 Zone				
					111-120	16 Zone				
					121-130	24 Zone				
					131-140	48 Zone				
					141-255	Idle				
				21		CW Strobe Effect Offset	X	0		
					0	Idle				
					1	Fixture Offset 10 Degrees				
					2	Fixture Offset 20 Degrees				
					3-34	Fixture Offset...				
					35	Fixture Offset 350 Degrees				
					36	Synchronized				
					37-49	Random Fixture Offset				
					50-59	Random Pixel Order				
					60-69	Random Steps				
					70-79	Idle				
						Effect Fade				
					80-89	Sinewave- Cross				
					90-99	Sinewave- Full				
100-109					Sawtooth- Cross					
110-119					Sawtooth- Full					
120-129					Ramp Up					
130-139					Ramp Down					
140-149					Steps					
				150-255	Idle					

DMX TRAITS: 8CH, 16CH, 27CH

Fixture Part Name	Xenon Strobe 8CH	Simple Strobe 16CH	Strobe FX 29CH	DMX Values	Function	Snap	Default Value	
Main Fixture			22		RGB Effect Selection	X	0	
				0	Idle			
				1-30	FX Selection 1 → 30			
				31-100	Idle			
				101-131	FX Selection 1 → 30			
				132-200	Idle			
				201-211	RGB Effects 1 → 10			
				212-255	Idle			
				23		RGB Effect Speed		0
					0-126	Slow → Fast		
					127-128	Stop		
					129-255	Rev Fast → Slow		
				24		RGB Effect Size	X	0
					0-50	Idle		
					51-60	1 Zone		
					61-70	2 Zone		
					71-80	3 Zone		
					81-90	6 Zone		
					91-100	9 Zone		
					101-110	15 Zone		
					111-120	18 Zone		
					121-130	36 Zone		
	131-255	Idle						
				25		RGB Effect Offset	X	0
					0	Idle		
					1	Fixture Offset 10 Degrees		
					2	Fixture Offset 20 Degrees		
					3-34	Fixture Offset...		
					35	Fixture Offset 350 Degrees		
					36	Synchronized		
					37-49	Random Fixture Offset		
					50-59	Random Pixel Order		
					60-69	Random Steps		
					70-79	Idle		
						Effect Fade		
					80-89	Sinewave- Cross		
					90-99	Sinewave- Full		
					100-109	Sawtooth- Cross		
					110-119	Sawtooth- Full		
					120-129	Ramp Up		
					130-139	Ramp Down		
140-149					Steps			
150-255	Idle							

DMX TRAITS: 8CH, 16CH, 27CH

Fixture Part Name	Xenon Strobe 8CH	Simple Strobe 16CH	Strobe FX 29CH	DMX Values	Function	Snap	Default Value	
Main Fixture			26		Dim Modes	X	0	
				0-20	Standard			
				21-40	Stage			
				41-60	TV			
				61-80	Architectural			
				81-100	Theatre			
				101-120	Stage 2			
					Dimmer Delay Time			
				121	0s			
				122	0.1s			
				123	0.2s			
				124	0.3s			
				125	0.4s			
				126	0.5s			
				127	0.6s			
				128	0.7s			
				129	0.8s			
				130	0.9s			
				131	1.0s			
				132	1.5s			
				133	2.0s			
				134	3.0s			
				135	4.0s			
				136	5.0s			
				137	6.0s			
				138	7.0s			
	139	8.0s						
	140	9.0s						
	141	10s						
	142-255	Idle						
				27		Control		0
					0-3	Idle		
					4-6	Fan Mode: Auto		
					7-9	Fan Mode: Silent		
					10-12	Fan Mode: High		
					13-15	Pan/Tilt Reset		
					16-18	Pan Reset		
					19-21	Tilt Reset		
					22-24	Disable Pan On		
					25-27	Disable Pan Off		
					28-30	Pan Tilt Speed 1		
					31-33	Pan Tilt Speed 2		
			34-36		Pan Tilt Speed 3			
			37-39		Pan Tilt Speed 4			
			40-42		Pan Shortest Path			
			43-45		Pan Continue Path			
			46-48		Pan Range 360			
			49-51		Pan Range 540			
			52-54		Blackout with Movement On			
			55-57		Blackout with Movement Off			
			58-60	Hibernation On				
			61-63	Hibernation Off				
			64-56	Sun Protect On				
			67-69	Sun Protect Off				
			70-99	Idle				

DMX TRAITS: 8CH, 16CH, 27CH

Fixture Part Name	Xenon Strobe 8CH	Simple Strobe 16CH	Strobe FX 27CH	DMX Values	Function	Snap	Default Value
Main Fixture			27		Refresh Rate (Hz)		0
				100	900		
				101	910		
				102	920		
				103	930		
				104	940		
				105	950		
				106	960		
				107	970		
				108	980		
				109	990		
				110	1000		
				111	1010		
				112	1020		
				113	1030		
				114	1040		
				115	1050		
				116	1060		
				117	1070		
				118	1080		
				119	1090		
				120	1100		
				121	1110		
				122	1120		
				123	1130		
				124	1140		
				125	1150		
				126	1160		
				127	1170		
				128	1180		
				129	1190		
				130	1200		
				131	1210		
				132	1220		
				133	1230		
				134	1240		
				135	1250		
136	1260						
137	1270						
138	1280						
139	1290						
140	1300						
141	1310						
142	1320						
143	1330						
144	1340						
145	1350						
146	1360						
147	1370						
148	1380						
149	1390						
150	1400						
151	1410						
152	1420						
153	1430						
154	1440						
155	1450						
156	1460						
157	1470						
158	1480						
159	1490						
160	1500						

DMX TRAITS: 8CH, 16CH, 27CH

Fixture Part Name	Xenon Strobe 8CH	Simple Strobe 16CH	Strobe FX 27CH	DMX Values	Function	Snap	Default Value
Main Fixture			27	161	2500		0
				162	4000		
				163	5000		
				164	6000		
				165	10000		
				166	15000		
				167	20000		
				168	25000		
				169-170	Idle		
					Zone Flip		
				171-172	Default Zone Arrangement		
				173-174	Flip Zones Horizontally		
				175-176	Flip Zones Vertically		
				177-178	Flip Zones Horizontally and Vertically		
				179	Idle		
					Zone Linking		
				180-181	Zones to Default		
				182-183	Top and Bottom CW Strobe Link to Center		
				184-185	Top and Bottom CW Strobe Inactive		
				186-187	RGB StrobeLine Link to Top Center CW Strobe		
				188-189	RGB StrobeLine Link to Top RGB		
				190-191	RGB StrobeLine to Bottom RGB		
				192-193	RGB StrobeLine Inactive		
				194-200	Idle		
					Dimmer Curves		
				201-210	Dimmer Curve: Linear (Default)		
				211-220	Dimmer Curve: Square		
221-230	Dimmer Curve: Inverse Square						
231-240	Dimmer Curve: S-Curve						
241-255	Idle						

DMX TRAITS: 50CH, 62CH, 65CH, 90CH, 93CH

Fixture Part Name	Large Pixels 50CH	Simple Pixel Pro No Pan 62CH	Simple Pixel Pro 65CH	Basic Full Control-No Pan 90CH	Basic Full Control 93CH	DMX Values	Function	Snap	Default Value	
Main Fixture	1		1		1	0-255	Pan Left → Right		127	
	2		2		2	0-255	Pan Fine Fine Pan Control		127	
	3	1	3	1	3	0-255	Tilt Forward → Backward		127	
	4	2	4	2	4	0-255	Tilt Fine Fine Tilt Control		127	
	5					5		Pan Rotate		0
							0-2	Disabled		
							3-126	Rotate Clockwise Fast → Slow		
							127-129	No Rotation (Fixture Stops at Current Position)		
							130-253	Rotate Counter-Clockwise Fast → Slow		
	254-255	No Rotation (Fixture Stops at Current Position)								
	6			3	6	0-255	Master Dimmer Intensity 0 → 100%		0	
	7	3	6	4	7	0-255	Strobe Dimmer Master Intensity 0 → 100%		0	
	8	4	7	5	8	0-255	CW Strobe Duration Min → Max		0	
	9	5	8	6	9	0-255	CW Strobe Rate Fast → Slow		0	
	10	6	9	7	10		CW Strobe Mode	X	255	
						0-31	Single Strobe/Standard Mode			
						32-63	Ramp Up			
						64-95	Ramp Down			
						96-127	Ramp Up → Ramp Down			
						128-159	Random			
160-191						Double Flash				
192-223						Triple Flash				
224-255	No Effect									
11	7	10	8	11	0-255	RGB Dimmer Master Intensity 0 → 100%		0		
12	8	11	9	12	0-255	RGB Strobe Duration Min → Max		0		
13	9	12	10	13	0-255	RGB Strobe Rate Fast → Slow		0		
14	10	13	11	14		RGB Strobe Mode	X	255		
					0-31	Single Strobe/Standard Mode				
					32-63	Ramp Up				
					64-95	Ramp Down				
					96-127	Ramp Up → Ramp Down				
					128-159	Random				
					160-191	Double Flash				
					192-223	Triple Flash				
224-225	Sync Dim and Strobe with CW Strobe									
226-255	No Effect									
15	11	14	12	15	0-255	All Red Red Saturation 0 → 100%		0		
16	12	15	13	16	0-255	All Green Green Saturation 0 → 100%		0		
17	13	16	14	17	0-255	All Blue Blue Saturation 0 → 100%		0		

DMX TRAITS: 50CH, 62CH, 65CH, 90CH, 93CH

Fixture Part Name	Large Pixels 50CH	Simple Pixel Pro No Pan 62CH	Simple Pixel Pro 65CH	Basic Full Control-No Pan 90CH	Basic Full Control 93CH	DMX Values	Function	Snap	Default Value	
				15	18		CW Strobe Effect Selelection	X	0	
						0	Idle			
						1-40	FX Selection			
						41-127	Idle			
						128-167	FX Selection			
	168-255	Idle								
					16	19		CW Strobe Effect Speed		0
							0-126	Slow → Fast		
							127-128	Stop		
	129-255	Rev Fast → Slow								
					17	20		CW Strobe Effect Size	X	0
							0-50	Idle		
							51-60	1 Zone		
							61-70	2 Zone		
							71-80	4 Zone		
							81-90	6 Zone		
							91-100	8 Zone		
							101-110	12 Zone		
							111-120	16 Zone		
							121-130	24 Zone		
							131-140	48 Zone		
		Idle								
					18	21		CW Strobe Effect Offset	X	0
							0	Idle		
							1	Fixture Offset 10 Degrees		
							2	Fixture Offset 20 Degrees		
							3-34	Fixture Offset...		
							35	Fixture Offset 350 Degrees		
							36	Synchronized		
							37-49	Random Fixture Offset		
							50-59	Random Pixel Order		
							60-69	Random Steps		
							70-79	Idle		
							Effect Fade			
80-89							Sinewave- Cross			
90-99							Sinewave- Full			
100-109							Sawtooth- Cross			
110-119							Sawtooth- Full			
120-129							Ramp Up			
130-139	Ramp Down									
140-149	Steps									
150-255	Idle									

DMX TRAITS: 50CH, 62CH, 65CH, 90CH, 93CH

Fixture Part Name	Large Pixels 50CH	Simple Pixel Pro No Pan 62CH	Simple Pixel Pro 65CH	Basic Full Control-No Pan 90CH	Basic Full Control 93CH	DMX Values	Function	Snap	Default Value
Main Fixture				19	22		RGB Effect Selection	X	0
						0	Idle		
						1-30	FX Selection 1 → 30		
						31-100	Idle		
						101-131	FX Selection 1 → 30		
						132-200	Idle		
						201-211	RGB Effects 1 → 10		
						212-255	Idle		
				20	23		RGB Effect Speed		0
						0-126	Slow → Fast		
						127-128	Stop		
						129-255	Rev Fast → Slow		
				21	24		RGB Effect Size	X	0
						0-50	Idle		
						51-60	1 Zone		
						61-70	2 Zone		
						71-80	3 Zone		
						81-90	6 Zone		
						91-100	9 Zone		
						101-110	15 Zone		
						111-120	18 Zone		
						121-130	36 Zone		
	131-255	Idle							
				22	25		RGB Effect Offset	X	0
						0	Idle		
						1	Fixture Offset 10 Degrees		
						2	Fixture Offset 20 Degrees		
						3-34	Fixture Offset...		
						35	Fixture Offset 350 Degrees		
						36	Synchronized		
						37-49	Random Fixture Offset		
						50-59	Random Pixel Order		
						60-69	Random Steps		
						70-79	Idle		
							Effect Fade		
						80-89	Sinewave- Cross		
						90-99	Sinewave- Full		
						100-109	Sawtooth- Cross		
						110-119	Sawtooth- Full		
						120-129	Ramp Up		
130-139						Ramp Down			
140-149	Steps								
150-255	Idle								

DMX TRAITS: 50CH, 62CH, 65CH, 90CH, 93CH

Fixture Part Name	Large Pixels 50CH	Simple Pixel Pro No Pan 62CH	Simple Pixel Pro 65CH	Basic Full Control-No Pan 90CH	Basic Full Control 93CH	DMX Values	Function	Snap	Default Value	
Main Fixture	18			23	26		Dim Modes	X	0	
						0-20	Standard			
						21-40	Stage			
						41-60	TV			
						61-80	Architectural			
						81-100	Theatre			
						101-120	Stage 2			
							Dimmer Delay Time			
						121	0s			
						122	0.1s			
						123	0.2s			
						124	0.3s			
						125	0.4s			
						126	0.5s			
						127	0.6s			
						128	0.7s			
						129	0.8s			
						130	0.9s			
						131	1.0s			
						132	1.5s			
						133	2.0s			
	134	3.0s								
	135	4.0s								
	136	5.0s								
	137	6.0s								
	138	7.0s								
	139	8.0s								
	140	9.0s								
	141	10s								
		Idle								
	19				24	27		Control		0
							0-3	Idle		
							4-6	Fan Mode: Auto		
							7-9	Fan Mode: Silent		
							10-12	Fan Mode: High		
							13-15	Pan/Tilt Reset		
							16-18	Pan Reset		
							19-21	Tilt Reset		
							22-24	Disable Pan On		
							25-27	Disable Pan Off		
							28-30	Pan Tilt Speed 1		
31-33							Pan Tilt Speed 2			
34-36							Pan Tilt Speed 3			
37-39							Pan Tilt Speed 4			
40-42							Pan Shortest Path			
43-45							Pan Continue Path			
46-48							Pan Range 360			
49-51							Pan Range 540			
52-54							Blackout with Movement On			
55-57							Blackout with Movement Off			
58-60	Hibernation On									
61-63	Hibernation Off									
64-56	Sun Protect On									
67-69	Sun Protect Off									
70-99	Idle									

DMX TRAITS: 50CH, 62CH, 65CH, 90CH, 93CH

Fixture Part Name	Large Pixels 50CH	Simple Pixel Pro No Pan 62CH	Simple Pixel Pro 65CH	Basic Full Control-No Pan 90CH	Basic Full Control 93CH	DMX Values	Function	Snap	Default Value
Main Fixture	19	14	17	24	27		Refresh Rate (Hz)		0
						100	900		
						101	910		
						102	920		
						103	930		
						104	940		
						105	950		
						106	960		
						107	970		
						108	980		
						109	990		
						110	1000		
						111	1010		
						112	1020		
						113	1030		
						114	1040		
						115	1050		
						116	1060		
						117	1070		
						118	1080		
						119	1090		
						120	1100		
						121	1110		
						122	1120		
						123	1130		
						124	1140		
						125	1150		
						126	1160		
						127	1170		
						128	1180		
						129	1190		
						130	1200		
						131	1210		
						132	1220		
						133	1230		
						134	1240		
						135	1250		
						136	1260		
						137	1270		
						138	1280		
						139	1290		
140	1300								
141	1310								
142	1320								
143	1330								
144	1340								
145	1350								
146	1360								
147	1370								
148	1380								
149	1390								
150	1400								
151	1410								
152	1420								
153	1430								
154	1440								
155	1450								
156	1460								
157	1470								
158	1480								
159	1490								
160	1500								

DMX TRAITS: 50CH, 62CH, 65CH, 90CH, 93CH

Fixture Part Name	Large Pixels 50CH	Simple Pixel Pro No Pan 62CH	Simple Pixel Pro 65CH	Basic Full Control-No Pan 90CH	Basic Full Control 93CH	DMX Values	Function	Snap	Default Value
Main Fixture	19	14	17	24	27	161	2500		0
						162	4000		
						163	5000		
						164	6000		
						165	10000		
						166	15000		
						167	20000		
						168	25000		
						169-170	Idle		
							Zone Flip		
						171-172	Default Zone Arrangement		
						173-174	Flip Zones Horizontally		
						175-176	Flip Zones Vertically		
						177-178	Flip Zones Horizontally and Vertically		
						179	Idle		
							Zone Linking		
						180-181	Zones to Default		
						182-183	Top and Bottom CW Strobe Link to Center		
						184-185	Top and Bottom CW Strobe Inactive		
						186-187	RGB Strobeline Link to Top Center CW Strobe		
						188-189	RGB Strobeline Link to Top RGB		
						190-191	RGB Strobeline to Bottom RGB		
						192-193	RGB Strobeline Inactive		
						194-200	Idle		
							Dimmer Curves		
						201-210	Dimmer Curve: Linear (Default)		
						211-220	Dimmer Curve: Square		
221-230	Dimmer Curve: Inverse Square								
231-240	Dimmer Curve: S-Curve								
241-255	Idle								

DMX TRAITS: 50CH, 62CH, 65CH, 90CH, 93CH

Fixture Part Name	Large Pixels 50CH	Simple Pixel Pro No Pan 62CH	Simple Pixel Pro 65CH	Basic Full Control-No Pan 90CH	Basic Full Control 93CH	DMX Values	Function	Snap	Default Value
Pixel 1	20	15	18	25	28	0-255	Red 1		0
							Red Saturation 0 → 100%		
	21	16	19	26	29	0-255	Green 1 Green Saturation 0 → 100%		0
Pixel 2	22	17	20	27	30	0-255	Blue 1 Blue Saturation 0 → 100%		0
							Red 2 Red Saturation 0 → 100%		
Pixel 3	23	18	21	28	31	0-255	Green 2 Green Saturation 0 → 100%		0
							Blue 2 Blue Saturation 0 → 100%		
	24	19	22	29	32	0-255	Red 3 Red Saturation 0 → 100%		0
Pixel 4	25	20	23	30	33	0-255	Green 3 Green Saturation 0 → 100%		0
							Blue 3 Blue Saturation 0 → 100%		
	26	21	24	31	34	0-255	Red 4 Red Saturation 0 → 100%		0
Pixel 5	27	22	25	32	35	0-255	Green 4 Green Saturation 0 → 100%		0
							Blue 4 Blue Saturation 0 → 100%		
	28	23	26	33	36	0-255	Red 5 Red Saturation 0 → 100%		0
Pixel 6	29	24	27	34	37	0-255	Green 5 Green Saturation 0 → 100%		0
							Blue 5 Blue Saturation 0 → 100%		
	30	25	28	35	38	0-255	Red 6 Red Saturation 0 → 100%		0
Pixel 7	31	26	29	36	39	0-255	Green 6 Green Saturation 0 → 100%		0
							Blue 6 Blue Saturation 0 → 100%		
	32	27	30	37	40	0-255	Red 7 Red Saturation 0 → 100%		0
Pixel 8	33	28	31	38	41	0-255	Green 7 Green Saturation 0 → 100%		0
							Blue 7 Blue Saturation 0 → 100%		
	34	29	32	39	42	0-255	Red 8 Red Saturation 0 → 100%		0
Pixel 9	35	30	33	40	43	0-255	Green 8 Green Saturation 0 → 100%		0
							Blue 8 Blue Saturation 0 → 100%		
	36	31	34	41	44	0-255	Red 9 Red Saturation 0 → 100%		0
Pixel 10	37	32	35	42	45	0-255	Green 9 Green Saturation 0 → 100%		0
							Blue 9 Blue Saturation 0 → 100%		
	38	33	36	43	46	0-255	Red 10 Red Saturation 0 → 100%		0
Pixel 11	39	34	37	44	47	0-255	Green 10 Green Saturation 0 → 100%		0
							Blue 10 Blue Saturation 0 → 100%		
	40	35	38	45	48	0-255	Red 11 Red Saturation 0 → 100%		0
Pixel 12	41	36	39	46	49	0-255	Green 11 Green Saturation 0 → 100%		0
							Blue 11 Blue Saturation 0 → 100%		
	42	37	40	47	50	0-255	Red 12 Red Saturation 0 → 100%		0
Pixel 13	43	38	41	48	51	0-255	Green 12 Green Saturation 0 → 100%		0
							Blue 12 Blue Saturation 0 → 100%		
	44	39	42	49	52	0-255	Red 13 Red Saturation 0 → 100%		0

DMX TRAITS: 50CH, 62CH, 65CH, 90CH, 93CH

Fixture Part Name	Large Pixels 50CH	Simple Pixel Pro No Pan 62CH	Simple Pixel Pro 65CH	Basic Full Control-No Pan 90CH	Basic Full Control 93CH	DMX Values	Function	Snap	Default Value
Pixel 9		39	42	51	54	0-255	Red 9 Red Saturation 0 → 100%		0
		40	43	52	55	0-255	Green 9 Green Saturation 0 → 100%		0
		41	44	53	56	0-255	Blue 9 Blue Saturation 0 → 100%		0
Pixel 10		42	45	54	57	0-255	Red 10 Red Saturation 0 → 100%		0
		43	46	55	58	0-255	Green 10 Green Saturation 0 → 100%		0
		44	47	56	59	0-255	Blue 10 Blue Saturation 0 → 100%		0
Pixel 11		45	48	57	60	0-255	Red 11 Red Saturation 0 → 100%		0
		46	49	58	61	0-255	Green 11 Green Saturation 0 → 100%		0
		47	50	59	62	0-255	Blue 11 Blue Saturation 0 → 100%		0
Pixel 12		48	51	60	63	0-255	Red 12 Red Saturation 0 → 100%		0
		49	52	61	64	0-255	Green 12 Green Saturation 0 → 100%		0
		50	53	62	65	0-255	Blue 12 Blue Saturation 0 → 100%		0

DMX TRAITS: 50CH, 62CH, 65CH, 90CH, 93CH

Fixture Part Name	Large Pixels 50CH	Simple Pixel Pro No Pan 62CH	Simple Pixel Pro 65CH	Basic Full Control-No Pan 90CH	Basic Full Control 93CH	DMX Values	Function	Snap	Default Value
CW Strobe 1	38	51	54	63	66	0-255	CW Strobe 1		0
							Intensity 0 → 100%		
CW Strobe 2	39	52	55	64	67	0-255	CW Strobe 2		0
							Intensity 0 → 100%		
CW Strobe 3	40	53	56	65	68	0-255	CW Strobe 3		0
							Intensity 0 → 100%		
CW Strobe 4	41	54	57	66	69	0-255	CW Strobe 4		0
							Intensity 0 → 100%		
CW Strobe 5		55	58	67	70	0-255	CW Strobe 5		0
							Intensity 0 → 100%		
CW Strobe 6		56	59	68	71	0-255	CW Strobe 6		0
							Intensity 0 → 100%		
CW Strobe 7		57	60	69	72	0-255	CW Strobe 7		0
							Intensity 0 → 100%		
CW Strobe 8		58	61	70	73	0-255	CW Strobe 8		0
							Intensity 0 → 100%		
CW Strobe 9		59	62	71	74	0-255	CW Strobe 9		0
							Intensity 0 → 100%		
CW Strobe 10		60	63	72	75	0-255	CW Strobe 10		0
							Intensity 0 → 100%		
CW Strobe 11		61	64	73	76	0-255	CW Strobe 11		0
							Intensity 0 → 100%		
CW Strobe 12		62	65	74	77	0-255	CW Strobe 12		0
							Intensity 0 → 100%		
CW Strobe 13						0-255	CW Strobe 13		0
							Intensity 0 → 100%		
CW Strobe 14						0-255	CW Strobe 14		0
							Intensity 0 → 100%		
CW Strobe 15						0-255	CW Strobe 15		0
							Intensity 0 → 100%		
CW Strobe 16						0-255	CW Strobe 16		0
							Intensity 0 → 100%		

DMX TRAITS: 50CH, 62CH, 65CH, 90CH, 93CH

Fixture Part Name	Large Pixels 50CH	Simple Pixel Pro No Pan 62CH	Simple Pixel Pro 65CH	Basic Full Control-No Pan 90CH	Basic Full Control 93CH	DMX Values	Function	Snap	Default Value
RGB StrobeLine 1	42			73	76	0-255	StrobeLine Red 1 Red Saturation 0 → 100%		0
	43			74	77	0-255	StrobeLine Green 1 Green Saturation 0 → 100%		0
	44			75	78	0-255	StrobeLine Blue 1 Blue Saturation 0 → 100%		0
RGB StrobeLine 2	45			76	79	0-255	StrobeLine Red 2 Red Saturation 0 → 100%		0
	46			77	80	0-255	StrobeLine Green 2 Green Saturation 0 → 100%		0
	47			78	81	0-255	StrobeLine Blue 2 Blue Saturation 0 → 100%		0
RGB StrobeLine 3	48			79	82	0-255	StrobeLine Red 3 Red Saturation 0 → 100%		0
	49			80	83	0-255	StrobeLine Green 3 Green Saturation 0 → 100%		0
	50			81	84	0-255	StrobeLine Blue 3 Blue Saturation 0 → 100%		0
RGB StrobeLine 4				82	85	0-255	StrobeLine Red 4 Red Saturation 0 → 100%		0
				83	86	0-255	StrobeLine Green 4 Green Saturation 0 → 100%		0
				84	87	0-255	StrobeLine Blue 4 Blue Saturation 0 → 100%		0
RGB StrobeLine 5				85	88	0-255	StrobeLine Red 5 Red Saturation 0 → 100%		0
				86	89	0-255	StrobeLine Green 5 Green Saturation 0 → 100%		0
				87	90	0-255	StrobeLine Blue 5 Blue Saturation 0 → 100%		0
RGB StrobeLine 6				88	91	0-255	StrobeLine Red 6 Red Saturation 0 → 100%		0
				89	92	0-255	StrobeLine Green 6 Green Saturation 0 → 100%		0
				90	93	0-255	StrobeLine Blue 6 Blue Saturation 0 → 100%		0

DMX TRAITS: 175CH, 183CH, 161CH, 156CH

Fixture Part Name	Pixel Focus 175CH	Full Control 183CH	Raw Mode 161CH	LED Panel 156CH	DMX Values	Function	Snap	Default Value	
Main Fixture	1	1	1		0-255	Pan Left → Right		127	
	2	2	2		0-255	Pan Fine Fine Pan Control		127	
	3	3	3		0-255	Tilt Forward → Backward		127	
	4	4	4		0-255	Tilt Fine Fine Tilt Control		127	
	5	5	5				Pan Rotate 0-2 Disabled	X	0
						3-126	Rotate Clockwise Fast → Slow		
						127-129	No Rotation (Fixture Stops at Current Position)		
						130-253	Rotate Counter-Clockwise Fast → Slow		
						254-255	No Rotation (Fixture Stops at Current Position)		
	6	6			0-255	Master Dimmer Intensity 0 → 100%		0	
	7	7			0-255	Strobe Dimmer Master Intensity 0 → 100%		0	
	8	8			0-255	CW Strobe Duration Min → Max		0	
	9	9			0-255	CW Strobe Rate Fast → Slow		0	
	10	10					CW Strobe Mode 0-31 Single Strobe/Standard Mode	X	255
						32-63	Ramp Up		
						64-95	Ramp Down		
						96-127	Ramp Up → Ramp Down		
						128-159	Random		
						160-191	Double Flash		
						192-223	Triple Flash		
						224-255	No Effect		
	11	11			0-255	RGB Dimmer Master Intensity 0 → 100%		0	
	12	12			0-255	RGB Strobe Duration Min → Max		0	
	13	13			0-255	RGB Strobe Rate Fast → Slow		0	
	14	14					RGB Strobe Mode 0-31 Single Strobe/Standard Mode	X	255
						32-63	Ramp Up		
						64-95	Ramp Down		
						96-127	Ramp Up → Ramp Down		
128-159						Random			
160-191						Double Flash			
192-223						Triple Flash			
224-225						Sync Dim and Strobe with CW Strobe			
226-255	No Effect								
15	15			0-255	All Red Red Saturation 0 → 100%		0		
16	16			0-255	All Green Green Saturation 0 → 100%		0		
17	17			0-255	All Blue Blue Saturation 0 → 100%		0		

DMX TRAITS: 175CH, 183CH, 161CH, 156CH

Fixture Part Name	Pixel Focus 175CH	Full Control 183CH	Raw Mode 161CH	LED Panel 156CH	DMX Values	Function	Snap	Default Value	
	18					CW Strobe Effect Selecection	X	0	
					0	Idle			
					1-40	FX Selection			
					41-127	Idle			
					128-167	FX Selection			
					168-255	Idle			
	19						CW Strobe Effect Speed		0
						0-126	Slow → Fast		
						127-128	Stop		
						129-255	Rev Fast → Slow		
	20						CW Strobe Effect Size	X	0
						0-50	Idle		
						51-60	1 Zone		
						61-70	2 Zone		
						71-80	4 Zone		
						81-90	6 Zone		
						91-100	8 Zone		
						101-110	12 Zone		
						111-120	16 Zone		
						121-130	24 Zone		
						131-140	48 Zone		
							Idle		
	21						CW Strobe Effect Offset	X	0
						0	Idle		
						1	Fixture Offset 10 Degrees		
						2	Fixture Offset 20 Degrees		
						3-34	Fixture Offset...		
						35	Fixture Offset 350 Degrees		
						36	Synchronized		
						37-49	Random Fixture Offset		
						50-59	Random Pixel Order		
						60-69	Random Steps		
						70-79	Idle		
							Effect Fade		
						80-89	Sinewave- Cross		
						90-99	Sinewave- Full		
100-109						Sawtooth- Cross			
110-119						Sawtooth- Full			
120-129						Ramp Up			
130-139						Ramp Down			
						Steps			
150-255	Idle								

DMX TRAITS: 175CH, 183CH, 161CH, 156CH

Fixture Part Name	Pixel Focus 175CH	Full Control 183CH	Raw Mode 161CH	LED Panel 156CH	DMX Values	Function	Snap	Default Value	
Main Fixture	22					RGB Effect Selelection	X	0	
					0	Idle			
					1-30	FX Selection 1 → 30			
					31-100	Idle			
					101-131	FX Selection 1 → 30			
					132-200	Idle			
					201-211	RGB Effects 1 → 10			
					212-255	Idle			
	23						RGB Effect Speed		0
						0-126	Slow → Fast		
						127-128	Stop		
						129-255	Rev Fast → Slow		
	24						RGB Effect Size	X	0
						0-50	Idle		
						51-60	1 Zone		
						61-70	2 Zone		
						71-80	3 Zone		
						81-90	6 Zone		
						91-100	9 Zone		
						101-110	15 Zone		
						111-120	18 Zone		
						121-130	36 Zone		
						131-255	Idle		
	25						RGB Effect Offset	X	0
						0	Idle		
						1	Fixture Offset 10 Degrees		
						2	Fixture Offset 20 Degrees		
						3-34	Fixture Offset...		
						35	Fixture Offset 350 Degrees		
						36	Synchronized		
						37-49	Random Fixture Offset		
						50-59	Random Pixel Order		
						60-69	Random Steps		
						70-79	Idle		
							Effect Fade		
						80-89	Sinewave- Cross		
						90-99	Sinewave- Full		
						100-109	Sawtooth- Cross		
						110-119	Sawtooth- Full		
						120-129	Ramp Up		
						130-139	Ramp Down		
						Steps			
150-255						Idle			

DMX TRAITS: 175CH, 183CH, 161CH, 156CH

Fixture Part Name	Pixel Focus 175CH	Full Control 183CH	Raw Mode 161CH	LED Panel 156CH	DMX Values	Function	Snap	Default Value	
Main Fixture	18	26				Dim Modes	X	0	
					0-20	Standard			
					21-40	Stage			
					41-60	TV			
					61-80	Architectural			
					81-100	Theatre			
					101-120	Stage 2			
						Dimmer Delay Time			
					121	0s			
					122	0.1s			
					123	0.2s			
					124	0.3s			
					125	0.4s			
					126	0.5s			
					127	0.6s			
					128	0.7s			
					129	0.8s			
					130	0.9s			
					131	1.0s			
					132	1.5s			
					133	2.0s			
	134	3.0s							
	135	4.0s							
	136	5.0s							
	137	6.0s							
	138	7.0s							
	139	8.0s							
	140	9.0s							
	141	10s							
		Idle							
	19	27					Control		0
						0-3	Idle		
						4-6	Fan Mode: Auto		
7-9						Fan Mode: Silent			
10-12						Fan Mode: High			
13-15						Pan/Tilt Reset			
16-18						Pan Reset			
19-21						Tilt Reset			
22-24						Disable Pan On			
25-27						Disable Pan Off			
28-30						Pan Tilt Speed 1			
31-33						Pan Tilt Speed 2			
34-36						Pan Tilt Speed 3			
37-39						Pan Tilt Speed 4			
40-42						Pan Shortest Path			
43-45						Pan Continue Path			
46-48						Pan Range 360			
49-51						Pan Range 540			
52-54						Blackout with Movement On			
55-57						Blackout with Movement Off			
58-60	Hibernation On								
61-63	Hibernation Off								
64-56	Sun Protect On								
67-69	Sun Protect Off								
70-99	Idle								

DMX TRAITS: 175CH, 183CH, 161CH, 156CH

Fixture Part Name	Pixel Focus 175CH	Full Control 183CH	Raw Mode 161CH	LED Panel 156CH	DMX Values	Function	Snap	Default Value
Main Fixture	19	27				Refresh Rate (Hz)		0
					100	900		
					101	910		
					102	920		
					103	930		
					104	940		
					105	950		
					106	960		
					107	970		
					108	980		
					109	990		
					110	1000		
					111	1010		
					112	1020		
					113	1030		
					114	1040		
					115	1050		
					116	1060		
					117	1070		
					118	1080		
					119	1090		
					120	1100		
					121	1110		
					122	1120		
					123	1130		
					124	1140		
					125	1150		
					126	1160		
					127	1170		
					128	1180		
					129	1190		
					130	1200		
					131	1210		
					132	1220		
					133	1230		
					134	1240		
					135	1250		
					136	1260		
					137	1270		
					138	1280		
					139	1290		
140	1300							
141	1310							
142	1320							
143	1330							
144	1340							
145	1350							
146	1360							
147	1370							
148	1380							
149	1390							
150	1400							
151	1410							
152	1420							
153	1430							
154	1440							
155	1450							
156	1460							
157	1470							
158	1480							
159	1490							
160	1500							

DMX TRAITS: 175CH, 183CH, 161CH, 156CH

Fixture Part Name	Pixel Focus 175CH	Full Control 183CH	Raw Mode 161CH	LED Panel 156CH	DMX Values	Function	Snap	Default Value
Main Fixture	19	27			161	2500		0
					162	4000		
					163	5000		
					164	6000		
					165	10000		
					166	15000		
					167	20000		
					168	25000		
					169-170	Idle		
						Zone Flip		
					171-172	Default Zone Arrangement		
					173-174	Flip Zones Horizontally		
					175-176	Flip Zones Vertically		
					177-178	Flip Zones Horizontally and Vertically		
					179	Idle		
						Zone Linking		
					180-181	Zones to Default		
					182-183	Top and Bottom CW Strobe Link to Center		
					184-185	Top and Bottom CW Strobe Inactive		
					186-187	RGB StrobeLine Link to Top Center CW Strobe		
					188-189	RGB StrobeLine Link to Top RGB		
					190-191	RGB StrobeLine to Bottom RGB		
					192-193	RGB StrobeLine Inactive		
					194-200	Idle		
						Dimmer Curves		
201-210	Dimmer Curve: Linear (Default)							
211-220	Dimmer Curve: Square							
221-230	Dimmer Curve: Inverse Square							
231-240	Dimmer Curve: S-Curve							
241-255	Idle							

DMX TRAITS: 175CH, 183CH, 161CH, 156CH

Fixture Part Name	Pixel Focus 175CH	Full Control 183CH	Raw Mode 161CH	LED Panel 156CH	DMX Values	Function	Snap	Default Value
Pixel 1	20	28	6	1	0-255	Red 1		0
						Red Saturation 0 → 100%		
	21	29	7	2	0-255	Green 1		0
						Green Saturation 0 → 100%		
	22	30	8	3	0-255	Blue 1		0
						Blue Saturation 0 → 100%		
Pixel 2	23	31	9	4	0-255	Red 2		0
						Red Saturation 0 → 100%		
	24	32	10	5	0-255	Green 2		0
						Green Saturation 0 → 100%		
	25	33	11	6	0-255	Blue 2		0
						Blue Saturation 0 → 100%		
Pixel 3	26	34	12	7	0-255	Red 3		0
						Red Saturation 0 → 100%		
	27	35	13	8	0-255	Green 3		0
						Green Saturation 0 → 100%		
	28	36	14	9	0-255	Blue 3		0
						Blue Saturation 0 → 100%		
Pixel 4	29	37	15	10	0-255	Red 4		0
						Red Saturation 0 → 100%		
	30	38	16	11	0-255	Green 4		0
						Green Saturation 0 → 100%		
	31	39	17	12	0-255	Blue 4		0
						Blue Saturation 0 → 100%		
Pixel 5	32	40	18	13	0-255	Red 5		0
						Red Saturation 0 → 100%		
	33	41	19	14	0-255	Green 5		0
						Green Saturation 0 → 100%		
	34	42	20	15	0-255	Blue 5		0
						Blue Saturation 0 → 100%		
Pixel 6	35	43	21	16	0-255	Red 6		0
						Red Saturation 0 → 100%		
	36	44	22	17	0-255	Green 6		0
						Green Saturation 0 → 100%		
	37	45	23	18	0-255	Blue 6		0
						Blue Saturation 0 → 100%		
Pixel 7	38	46	24	19	0-255	Red 7		0
						Red Saturation 0 → 100%		
	39	47	25	20	0-255	Green 7		0
						Green Saturation 0 → 100%		
	40	48	26	21	0-255	Blue 7		0
						Blue Saturation 0 → 100%		
Pixel 8	41	49	27	22	0-255	Red 8		0
						Red Saturation 0 → 100%		
	42	50	28	23	0-255	Green 8		0
						Green Saturation 0 → 100%		
	43	51	29	24	0-255	Blue 8		0
						Blue Saturation 0 → 100%		

DMX TRAITS: 175CH, 183CH, 161CH, 156CH

Fixture Part Name	Pixel Focus 175CH	Full Control 183CH	Raw Mode 161CH	LED Panel 156CH	DMX Values	Function	Snap	Default Value
Pixel 9	44	52	30	25	0-255	Red 9 Red Saturation 0 → 100%		0
	45	53	31	26	0-255	Green 9 Green Saturation 0 → 100%		0
	46	54	32	27	0-255	Blue 9 Blue Saturation 0 → 100%		0
Pixel 10	47	55	33	28	0-255	Red 10 Red Saturation 0 → 100%		0
	48	56	34	29	0-255	Green 10 Green Saturation 0 → 100%		0
	49	57	35	30	0-255	Blue 10 Blue Saturation 0 → 100%		0
Pixel 11	50	58	36	31	0-255	Red 11 Red Saturation 0 → 100%		0
	51	59	37	32	0-255	Green 11 Green Saturation 0 → 100%		0
	52	60	38	33	0-255	Blue 11 Blue Saturation 0 → 100%		0
Pixel 12	53	61	39	34	0-255	Red 12 Red Saturation 0 → 100%		0
	54	62	40	35	0-255	Green 12 Green Saturation 0 → 100%		0
	55	63	41	36	0-255	Blue 12 Blue Saturation 0 → 100%		0
Pixel 13	56	64	42	37	0-255	Red 13 Red Saturation 0 → 100%		0
	57	65	43	38	0-255	Green 13 Green Saturation 0 → 100%		0
	58	66	44	39	0-255	Blue 13 Blue Saturation 0 → 100%		0
Pixel 14	59	67	45	40	0-255	Red 14 Red Saturation 0 → 100%		0
	60	68	46	41	0-255	Green 14 Green Saturation 0 → 100%		0
	61	69	47	42	0-255	Blue 14 Blue Saturation 0 → 100%		0
Pixel 15	62	70	48	43	0-255	Red 15 Red Saturation 0 → 100%		0
	63	71	49	44	0-255	Green 15 Green Saturation 0 → 100%		0
	64	72	50	45	0-255	Blue 15 Blue Saturation 0 → 100%		0
Pixel 16	65	73	51	46	0-255	Red 16 Red Saturation 0 → 100%		0
	66	74	52	47	0-255	Green 16 Green Saturation 0 → 100%		0
	67	75	53	48	0-255	Blue 16 Blue Saturation 0 → 100%		0

DMX TRAITS: 175CH, 183CH, 161CH, 156CH

Fixture Part Name	Pixel Focus 175CH	Full Control 183CH	Raw Mode 161CH	LED Panel 156CH	DMX Values	Function	Snap	Default Value
Pixel 17	68	76	54	49	0-255	Red 17		0
						Red Saturation 0 → 100%		
	69	77	55	50	0-255	Green 17		0
						Green Saturation 0 → 100%		
	70	78	56	51	0-255	Blue 17		0
						Blue Saturation 0 → 100%		
Pixel 18	71	79	57	52	0-255	Red 18		0
						Red Saturation 0 → 100%		
	72	80	58	53	0-255	Green 18		0
						Green Saturation 0 → 100%		
	73	81	59	54	0-255	Blue 18		0
						Blue Saturation 0 → 100%		
Pixel 19	74	82	60	55	0-255	Red 19		0
						Red Saturation 0 → 100%		
	75	83	61	56	0-255	Green 19		0
						Green Saturation 0 → 100%		
	76	84	62	57	0-255	Blue 19		0
						Blue Saturation 0 → 100%		
Pixel 20	77	85	63	58	0-255	Red 20		0
						Red Saturation 0 → 100%		
	78	86	64	59	0-255	Green 20		0
						Green Saturation 0 → 100%		
	79	87	65	60	0-255	Blue 20		0
						Blue Saturation 0 → 100%		
Pixel 21	80	88	66	61	0-255	Red 21		0
						Red Saturation 0 → 100%		
	81	89	67	62	0-255	Green 21		0
						Green Saturation 0 → 100%		
	82	90	68	63	0-255	Blue 21		0
						Blue Saturation 0 → 100%		
Pixel 22	83	91	69	64	0-255	Red 22		0
						Red Saturation 0 → 100%		
	84	92	70	65	0-255	Green 22		0
						Green Saturation 0 → 100%		
	85	93	71	66	0-255	Blue 22		0
						Blue Saturation 0 → 100%		
Pixel 23	86	94	72	67	0-255	Red 23		0
						Red Saturation 0 → 100%		
	87	95	73	68	0-255	Green 23		0
						Green Saturation 0 → 100%		
	88	96	74	69	0-255	Blue 23		0
						Blue Saturation 0 → 100%		
Pixel 24	89	97	75	70	0-255	Red 24		0
						Red Saturation 0 → 100%		
	90	98	76	71	0-255	Green 24		0
						Green Saturation 0 → 100%		
	91	99	77	72	0-255	Blue 24		0
						Blue Saturation 0 → 100%		

DMX TRAITS: 175CH, 183CH, 161CH, 156CH

Fixture Part Name	Pixel Focus 175CH	Full Control 183CH	Raw Mode 161CH	LED Panel 156CH	DMX Values	Function	Snap	Default Value
CW Strobe 1	92	100	78	73	0-255	CW Strobe 1		0
						Intensity 0 → 100%		
CW Strobe 2	93	101	79	74	0-255	CW Strobe 2		0
						Intensity 0 → 100%		
CW Strobe 3	94	102	80	75	0-255	CW Strobe 3		0
						Intensity 0 → 100%		
CW Strobe 4	95	103	81	76	0-255	CW Strobe 4		0
						Intensity 0 → 100%		
CW Strobe 5	96	104	82	77	0-255	CW Strobe 5		0
						Intensity 0 → 100%		
CW Strobe 6	97	105	83	78	0-255	CW Strobe 6		0
						Intensity 0 → 100%		
CW Strobe 7	98	106	84	79	0-255	CW Strobe 7		0
						Intensity 0 → 100%		
CW Strobe 8	99	107	85	80	0-255	CW Strobe 8		0
						Intensity 0 → 100%		
CW Strobe 9	100	108	86	81	0-255	CW Strobe 9		0
						Intensity 0 → 100%		
CW Strobe 10	101	109	87	82	0-255	CW Strobe 10		0
						Intensity 0 → 100%		
CW Strobe 11	102	110	88	83	0-255	CW Strobe 11		0
						Intensity 0 → 100%		
CW Strobe 12	103	111	89	84	0-255	CW Strobe 12		0
						Intensity 0 → 100%		
CW Strobe 13	104	112	90	85	0-255	CW Strobe 13		0
						Intensity 0 → 100%		
CW Strobe 14	105	113	91	86	0-255	CW Strobe 14		0
						Intensity 0 → 100%		
CW Strobe 15	106	114	92	87	0-255	CW Strobe 15		0
						Intensity 0 → 100%		
CW Strobe 16	107	115	93	88	0-255	CW Strobe 16		0
						Intensity 0 → 100%		

DMX TRAITS: 175CH, 183CH, 161CH, 156CH

Fixture Part Name	Pixel Focus 175CH	Full Control 183CH	Raw Mode 161CH	LED Panel 156CH	DMX Values	Function	Snap	Default Value
CW Strobe 17	108	116	94	89	0-255	CW Strobe 17		0
						Intensity 0 → 100%		
CW Strobe 18	109	117	95	90	0-255	CW Strobe 18		0
						Intensity 0 → 100%		
CW Strobe 19	110	118	96	91	0-255	CW Strobe 19		0
						Intensity 0 → 100%		
CW Strobe 20	111	119	97	92	0-255	CW Strobe 20		0
						Intensity 0 → 100%		
CW Strobe 21	112	120	98	93	0-255	CW Strobe 21		0
						Intensity 0 → 100%		
CW Strobe 22	113	121	99	94	0-255	CW Strobe 22		0
						Intensity 0 → 100%		
CW Strobe 23	114	122	100	95	0-255	CW Strobe 23		0
						Intensity 0 → 100%		
CW Strobe 24	115	123	101	96	0-255	CW Strobe 24		0
						Intensity 0 → 100%		
CW Strobe 25	116	124	102	97	0-255	CW Strobe 25		0
						Intensity 0 → 100%		
CW Strobe 26	117	125	103	98	0-255	CW Strobe 26		0
						Intensity 0 → 100%		
CW Strobe 27	118	126	104	99	0-255	CW Strobe 27		0
						Intensity 0 → 100%		
CW Strobe 28	119	127	105	100	0-255	CW Strobe 28		0
						Intensity 0 → 100%		
CW Strobe 29	120	128	106	101	0-255	CW Strobe 29		0
						Intensity 0 → 100%		
CW Strobe 30	121	129	107	102	0-255	CW Strobe 30		0
						Intensity 0 → 100%		
CW Strobe 31	122	130	108	103	0-255	CW Strobe 31		0
						Intensity 0 → 100%		
CW Strobe 32	123	131	109	104	0-255	CW Strobe 32		0
						Intensity 0 → 100%		

DMX TRAITS: 175CH, 183CH, 161CH, 156CH

Fixture Part Name	Pixel Focus 175CH	Full Control 183CH	Raw Mode 161CH	LED Panel 156CH	DMX Values	Function	Snap	Default Value
CW Strobe 33	124	132	110	105	0-255	CW Strobe 33		0
						Intensity 0 → 100%		
CW Strobe 34	125	133	111	106	0-255	CW Strobe 34		0
						Intensity 0 → 100%		
CW Strobe 35	126	134	112	107	0-255	CW Strobe 35		0
						Intensity 0 → 100%		
CW Strobe 36	127	135	113	108	0-255	CW Strobe 36		0
						Intensity 0 → 100%		
CW Strobe 37	128	136	114	109	0-255	CW Strobe 37		0
						Intensity 0 → 100%		
CW Strobe 38	129	137	115	110	0-255	CW Strobe 38		0
						Intensity 0 → 100%		
CW Strobe 39	130	138	116	111	0-255	CW Strobe 39		0
						Intensity 0 → 100%		
CW Strobe 40	131	139	117	112	0-255	CW Strobe 40		0
						Intensity 0 → 100%		
CW Strobe 41	132	140	118	113	0-255	CW Strobe 41		0
						Intensity 0 → 100%		
CW Strobe 42	133	141	119	114	0-255	CW Strobe 42		0
						Intensity 0 → 100%		
CW Strobe 43	134	142	120	115	0-255	CW Strobe 43		0
						Intensity 0 → 100%		
CW Strobe 44	135	143	121	116	0-255	CW Strobe 44		0
						Intensity 0 → 100%		
CW Strobe 45	136	144	122	117	0-255	CW Strobe 45		0
						Intensity 0 → 100%		
CW Strobe 46	137	145	123	118	0-255	CW Strobe 46		0
						Intensity 0 → 100%		
CW Strobe 47	138	146	124	119	0-255	CW Strobe 47		0
						Intensity 0 → 100%		
CW Strobe 48	139	147	125	120	0-255	CW Strobe 48		0
						Intensity 0 → 100%		

DMX TRAITS: 175CH, 183CH, 161CH, 156CH

Fixture Part Name	Pixel Focus 175CH	Full Control 183CH	Raw Mode 161CH	LED Panel 156CH	DMX Values	Function	Snap	Default Value
RGB Strobeline 1	140	148	126	121	0-255	Strobeline Red 1 Red Saturation 0 → 100%		0
	141	149	127	122	0-255	Strobeline Green 1 Green Saturation 0 → 100%		0
	142	150	128	123	0-255	Strobeline Blue 1 Blue Saturation 0 → 100%		0
RGB Strobeline 2	143	151	129	124	0-255	Strobeline Red 2 Red Saturation 0 → 100%		0
	144	152	130	125	0-255	Strobeline Green 2 Green Saturation 0 → 100%		0
	145	153	131	126	0-255	Strobeline Blue 2 Blue Saturation 0 → 100%		0
RGB Strobeline 3	146	154	132	127	0-255	Strobeline Red 3 Red Saturation 0 → 100%		0
	147	155	133	128	0-255	Strobeline Green 3 Green Saturation 0 → 100%		0
	148	156	134	129	0-255	Strobeline Blue 3 Blue Saturation 0 → 100%		0
RGB Strobeline 4	149	157	135	130	0-255	Strobeline Red 4 Red Saturation 0 → 100%		0
	150	158	136	131	0-255	Strobeline Green 4 Green Saturation 0 → 100%		0
	151	159	137	132	0-255	Strobeline Blue 4 Blue Saturation 0 → 100%		0
RGB Strobeline 5	152	160	138	133	0-255	Strobeline Red 5 Red Saturation 0 → 100%		0
	153	161	139	134	0-255	Strobeline Green 5 Green Saturation 0 → 100%		0
	154	162	140	135	0-255	Strobeline Blue 5 Blue Saturation 0 → 100%		0
RGB Strobeline 6	155	163	141	136	0-255	Strobeline Red 6 Red Saturation 0 → 100%		0
	156	164	142	137	0-255	Strobeline Green 6 Green Saturation 0 → 100%		0
	157	165	143	138	0-255	Strobeline Blue 6 Blue Saturation 0 → 100%		0
RGB Strobeline 7	158	166	144	139	0-255	Strobeline Red 7 Red Saturation 0 → 100%		0
	159	167	145	140	0-255	Strobeline Green 7 Green Saturation 0 → 100%		0
	160	168	146	141	0-255	Strobeline Blue 7 Blue Saturation 0 → 100%		0
RGB Strobeline 8	161	169	147	142	0-255	Strobeline Red 8 Red Saturation 0 → 100%		0
	162	170	148	143	0-255	Strobeline Green 8 Green Saturation 0 → 100%		0
	163	171	149	144	0-255	Strobeline Blue 8 Blue Saturation 0 → 100%		0

DMX TRAITS: 175CH, 183CH, 161CH, 156CH

Fixture Part Name	Pixel Focus 175CH	Full Control 183CH	Raw Mode 161CH	LED Panel 156CH	DMX Values	Function	Snap	Default Value
RGB Strobeline 9	164	172	150	145	0-255	Strobeline Red 9 Red Saturation 0 → 100%		0
	165	173	151	146	0-255	Strobeline Green 9 Green Saturation 0 → 100%		0
	166	174	152	147	0-255	Strobeline Blue 9 Blue Saturation 0 → 100%		0
RGB Strobeline 10	167	175	153	148	0-255	Strobeline Red 10 Red Saturation 0 → 100%		0
	168	176	154	149	0-255	Strobeline Green 10 Green Saturation 0 → 100%		0
	169	177	155	150	0-255	Strobeline Blue 10 Blue Saturation 0 → 100%		0
RGB Strobeline 11	170	178	156	151	0-255	Strobeline Red 11 Red Saturation 0 → 100%		0
	171	179	157	152	0-255	Strobeline Green 11 Green Saturation 0 → 100%		0
	172	180	158	153	0-255	Strobeline Blue 11 Blue Saturation 0 → 100%		0
RGB Strobeline 12	173	181	159	154	0-255	Strobeline Red 12 Red Saturation 0 → 100%		0
	174	182	160	155	0-255	Strobeline Green 12 Green Saturation 0 → 100%		0
	175	183	161	156	0-255	Strobeline Blue 12 Blue Saturation 0 → 100%		0

ZONE LAYOUTS

FULL CONTROL, FULL RAW, AND PIXEL FOCUS ZONING

CW Strobe	1	2	3	4	5	6	7	8	9	10	1	12
RGB Zone	1		2		3		4		5		6	
RGB Zone	7		8		9		10		11		12	
CW Strobe	13	14	15	16	17	18	19	20	21	22	23	24
RGB Strobeline	1	2	3	4	5	6	7	8	9	10	11	12
CW Strobe	25	26	27	28	29	30	31	32	33	34	35	36
RGB Zone	13		14		15		16		17		18	
RGB Zone	19		20		21		22		23		24	
CW Strobe	39	38	39	40	41	42	43	44	45	46	47	48

SIMPLE PIXEL ZONING

CW Strobe	1	2	3	4	5	6	7	8	9	10	11	12
RGB Zone	1		2		3		4		5		6	
CW Strobe	1	2	3	4	5	6	7	8	9	10	11	12
RGB Strobeline (CW Only)	1	2	3	4	5	6	7	8	9	10	11	12
CW Strobe	1	2	3	4	5	6	7	8	9	10	11	12
RGB Zone	7		8		9		10		11		12	
CW Strobe	1	2	3	4	5	6	7	8	9	10	11	12

BASIC FULL CONTROL ZONING

CW Strobe	1	2	3	4	5	6
RGB Zone	1	2	3	4	5	6
CW Strobe	1	2	3	4	5	6
RGB Strobeline	7	2	3	4	5	6
CW Strobe	7	8	9	10	11	12
RGB Zone	7	8	9	10	11	12
CW Strobe	7	8	9	10	11	12

LARGE PIXEL ZONING

CW Strobe	1					
RGB Zone	1		2		3	
CW Strobe	2					
RGB Strobeline	1		2		3	
CW Strobe	3					
RGB Zone	4		5		6	
CW Strobe	4					

ERROR CODES

Error Codes subject to change without notice	
ERROR CODES	DESCRIPTION
Pan	This message appears when there is an error.
Tilt	
LedTemp	
BaseTemp	
CoolFan1	
CoolFan2	
CoolFan3	
CoolFan4	
BaseFan	
Net Init	

MAINTENANCE GUIDELINES



DISCONNECT POWER BEFORE PERFORMING ANY MAINTENANCE!

CLEANING

Frequent cleaning is recommended to ensure proper function, optimized light output, and an extended life. The frequency of cleaning depends on the environment in which the fixture operates: damp, smoky or particularly dirty environments can cause greater accumulation of dirt on the fixture's optics. Clean periodically with a soft cloth to avoid dirt/debris accumulation.

NEVER use alcohol, solvents, or ammonia-based cleaners.

MAINTENANCE

Regular inspections are recommended to insure proper function and extended life. There are no user serviceable parts inside this fixture. Please refer all other service issues to an authorized Elation service technician. Should you need any spare parts, please order genuine parts from an authorized Elation dealer.

Please refer to the following points during routine inspections:

- A detailed electrical check by an approved electrical engineer every three months, to make sure the circuit contacts are in good condition and prevent overheating.
- Be sure all screws and fasteners are securely tightened at all times. Loose screws may fall out during normal operation, resulting in damage or injury as larger parts could fall.
- Check for any deformations on the housing, color lenses, rigging hardware and rigging points (ceiling, suspension, trussing). Deformations in the housing could allow for dust to enter into the fixture. Damaged rigging points or unsecured rigging could cause the fixture to fall and seriously injure a person(s).
- Electric power supply cables must not show any damage, material fatigue or sediments.

SPECIFICATIONS

SOURCE

(1248) 1.5W RGB LEDs
(432) 5W CW Strobe LEDs
50,000 Hour Average LED Life*

*May vary depending on several factors including but not limited to: Environmental Conditions, Power/Voltage, Usage Patterns (On-Off Cycling), Control and Dimming.

PHOTOMETRIC DATA

Total Lumen Output:
Integrating Sphere
All LED: 78,265 Lumens
CW LED: 108,574 Lumens
RGB LED: 44,090 Lumens
CRI: >70
Beam Angle: 68°
Field Angle: 112°

EFFECTS

48 Zones of RGB Plate LEDs (6 x 4)
48 Zones of CW Strobe LEDs (12 x 4)
12 Zones of RGB StrobeLine LED's (12 x 1)
1- 20Hz Strobe Rate
Library of Customizable RGB and CW Strobe Effects
Variable Dimming Modes and Curves
Pan/Spin Angle: 540°/360°
360° Continuous Pan/Spin Movement
Tilt Angle: 180°
Setting to Lock Pan/Spin Movement

COLOR

RGB Color Array

CONTROL / CONNECTIONS

12 DMX Channel Modes (8ch, 16ch, 27ch, 50ch, 62ch, 65ch, 175ch, 90ch, 93ch, 183ch, 161ch, 156ch)
Ability to Address Fixture Control and LED Control to Separate Universes
4 Button Control Panel, LED Display
Aria x2 Wireless Device Management
RDM (Remote Device Management)
IP65 5pin XLR DMX In/Out
IP65 RJ45 Ethernet In/Out (Art-Net, sACN, KlingNet)
IP65 Locking Power Cable In

SIZE / WEIGHT

Length: 16.54" (420mm)
Width: 8.28" (210mm)
Vertical Height: 15.59" (396mm)
Center-to-Center: 20.47" (520mm)
Weight: 38.58 lbs. (17.5kg)

ELECTRICAL / THERMAL

AC 100-240V - 50/60Hz
Max Power Consumption 1750W
-4°F to 113°F (-20°C to 45°C)
BTU/hr (+/- 10%) 5967.5

INCLUDED ITEMS

Safety Cable
IP65 Locking Power Cable
Omega Brackets

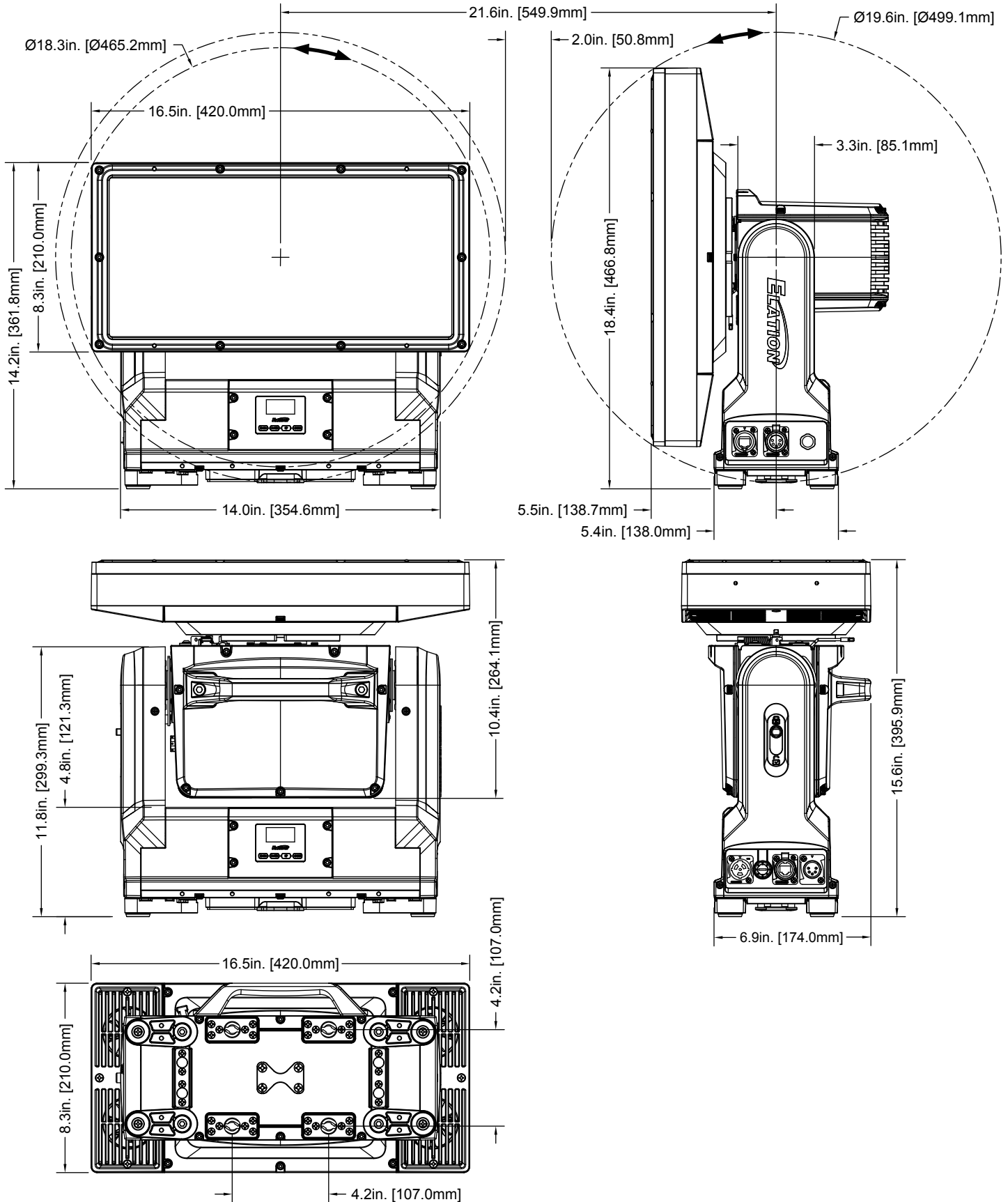
APPROVALS / RATINGS

CE | cETLus(pend) | UL | IP65c | FCC | UKCA

Specifications and documentation subject to change without notice.

DIMENSION DRAWINGS

Drawings not to scale



ORDERING INFORMATION

SKU US/EU		ITEM DESCRIPTION
PUL345	1237000346	PULSE PANEL FX
TRIGGER CLAMP	N/A	Heavy Duty Wrap Around Hook Style Clamp
STR527	N/A	5 ft. (1.5m) IP65 5pin XLR Cable
TOU027	N/A	TOUR LINK 5P10, 5-PIN 10 FOOT XLR TOUR LINK CABLE



FCC STATEMENT

This device complies with Part 15 of the FCC Rules. Operation is subject to the following two conditions: (1) this device may not cause harmful interference, and (2) this device must accept any interference received, including interference that may cause undesired operation.

FCC RADIO FREQUENCY INTERFERENCE WARNINGS & INSTRUCTIONS

This product has been tested and found to comply with the limits as per Part 15 of the FCC Rules. These limits are designed to provide reasonable protection against harmful interference in a residential installation. This device uses and can radiate radio frequency energy and, if not installed and used in accordance with the included instructions, may cause harmful interference to radio communications. However, there is no guarantee that interference will not occur in a particular installation. If this device does cause harmful interference to radio or television reception, which can be determined by turning the device off and on, the user is encouraged to try to correct the interference by one or more of the following methods:

- Reorient or relocate the device.
- Increase the separation between the device and the receiver.
- Connect the device to an electrical outlet on a circuit different from which the radio receiver is connected.
- Consult the dealer or an experienced radio/TV technician for help.

Energy Saving Matters (EuP 2009/125/EC)

Saving electric energy is a key to help protecting the environment. Please turn off all electrical products when they are not in use. To avoid power consumption in idle mode, disconnect all electrical equipment from power when not in use. Thank you!

